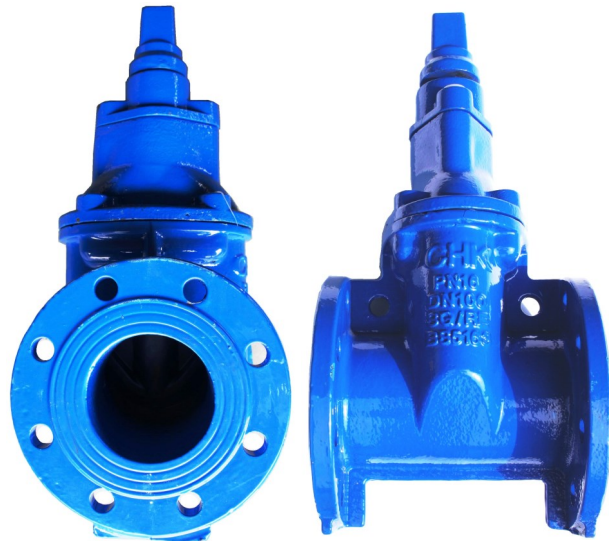


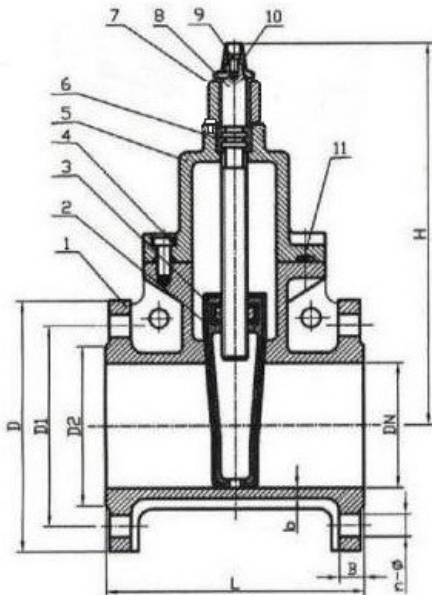
Resilient Seat Gate Valve

Double Flange Resilient Seated Ductile Iron Gate Valve For Water, Sewage and Neutral

Comply to BS 5163 - Type B
 Diameter Range : DN50 - 450
 Maximum Working Pressure : 16 bar
 Operating Temperature : 70°C Max
 Applied Pressure : Shell test - 24 bar
 Seat test - 16 bar
 Painting : Fusion Bonded Epoxy Paint
 (Min. 250 microns DFT)
 Operation Method : Manual Operated CW
 Closing



DIMENSIONS & WEIGHTS



DN	H	L	D	D1	D2	B	b	n-Ø	Weight (kg)
50	280	178	165	125	99	19	9	4-Ø19	11.5
65	285	190	185	145	118	19	9	4-Ø19	14.8
80	325	203	200	160	132	19	9	8-Ø19	17.5
100	370	229	220	180	156	19	9	8-Ø19	21.5
150	470	267	285	240	211	19	9	8-Ø23	43
200	570	292	340	295	266	20	14	12-Ø23	73
250	630	330	405	355	319	22	15	12-Ø28	110
300	750	356	460	410	370	24	16	12-Ø28	164
350	1023	381	520	470	430	28	18	16-Ø28	275
400	1023	406	580	525	480	32	18	16-Ø31	303
450	1038	432	640	585	548	35	20	20-Ø31	418
500	1300	445	720	650	610	35	50	20-Ø34	519
600	1450	503	840	770	715	38	50	20-Ø37	722

SPECIFICATIONS

No	Description	Material	Material Specification
1	Body	Ductile Iron	BS EN 1563 Grade 500/7
2	Resilient Wedge	Ductile Iron Fully Vulcanized with EPDM Rubber	BS 2494 Type W/MS 672:99
3	Stem Nut	Gunmetal	BS 1400 LG2/AB1
4	Bonnet Bolt	Stainless Steel	BS 970 Part 1 SS 304
5	Bonnet	Ductile Iron	BS EN 1563 Grade 500/7
6	Cartridge	Gunmetal	BS 1400 LG2/AB1
7	Gland Nuts	Gunmetal	BS 1400 LG2/AB1
8	Stem	Stainless Steel	BS 970 Part 1 Grade 431/S29
9	Stem Cap Bolt	Stainless Steel	BS 970 Part 1 SS 304
10	Stem Cap	Ductile Iron	BS EN 1563 Grade 500/7
11	Bonnet Gasket	EPDM	BS 2494 Type W/MS 672:99

Double Flange Butterfly Valve



SPECIFICATIONS PN 16

No	Description	Material Specification
1	Valve Body	Ductile Iron,BS EN 1563 Grade 500/7
2	Setscrew	Stainless Steel,BS 970 Part 1 SS 304
3	Retaining Ring	Stainless Steel,BS 970 Part 1 SS 304
4	Disc	Ductile Iron,BS EN 1563 Grade 500/7
5	Setscrew	Stainless Steel,BS 970 Part 1 SS 304
6	Seal Ring On Gate	EPDM,ASTMN 70° - 80° IRHD
6A	Seal Ring In Body	Stainless Steel,BS 970 Part 1 SS 304
7	Driving Shaft	Stainless Steel,BS 970 Part 1 Grade 431/S29
8	Setscrew	Stainless Steel,BS 970 Part 1 SS 304
9	Setscrew	Stainless Steel,BS 970 Part 1 SS 304
10	Gear Box	Ductile Iron,BS EN 1563 Grade 500/7
11	Bush Cap	AL Bronze
12	Key	Stainless Steel,BS 970 Part 1 SS 304
13	Jointing Flange	Ductile Iron,BS EN 1563 Grade 500/7
14	Bearing Bush	AL Bronze
15	Blank Cap	Ductile Iron,BS EN 1563 Grade 500/7
16	Cap Screw	Stainless Steel,BS 970 Part 1 SS 304



BS EN 593 : 2004

DIMENSIONS

DN	H	L	D	D1	B	n-Ø	b
50	275	108	165	125	19	4-Ø19	8
80	295	114	200	160	19	8-Ø19	9
100	300	127	220	180	19	8-Ø19	10
150	415	140	285	240	19	8-Ø23	11
200	485	152	340	295	20	12-Ø23	12
250	525	165	405	355	22	12-Ø28	12
300	550	178	460	410	24	12-Ø28	14
400	610	216	580	525	38	16-Ø31	15
450	670	222	640	585	30	20-Ø31	16
500	715	229	715	650	31.5	20-Ø34	17
600	775	267	840	770	36	20-Ø37	18
700	875	292	910	840	38.5	24-Ø37	21
800	945	318	1025	950	48	24-Ø40	22
900	1040	330	1125	1050	48.5	28-Ø40	24
1000	1155	410	1255	1170	50	28-Ø43	27
1200	1235	470	1485	1390	57	32-Ø49	29



Single Orifice Kinetic Air Valve PN16



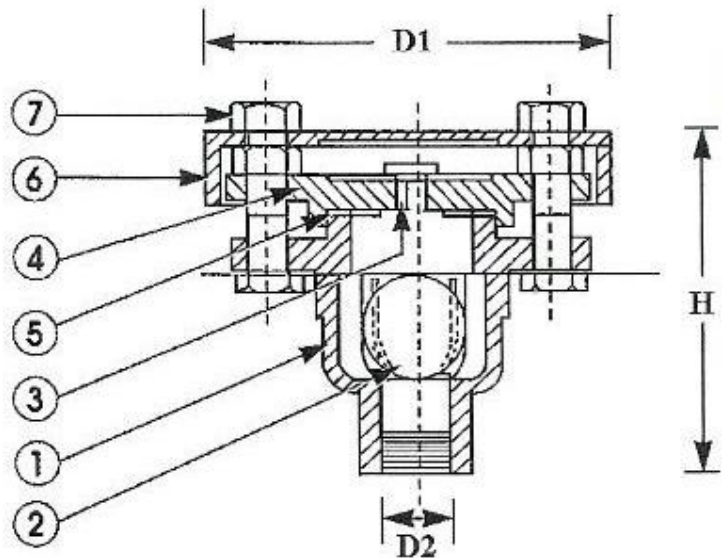
Flange Drilling
BS 4504 PN16, other standard on request.

Coating
High solid epoxy coating standard, other coating on request.

Properties
Removable cover on top of valve body casing for easy inspection and movement of orifice float (ball) .

DIMENSIONS

DN	H	D1	D2	D* - Width of air valve
25	215	155	25	105



SPECIFICATIONS

No	Part	Material Specification
1	Body	Ductile Iron,BS EN 1563 Grade 500/7
2	Float	ABS ISO 2580
3	Air Release Nipple	Brass BS 143/1256
4	Ball Guide	ABS ISO 2580
5	Gasket	NBR,ASTMD 2000 70* IRHD
6	Cover	Ductile Iron,BS EN 1563 Grade 500/7
7	Bolt & Nuts	Galvanized Iron

Double Standard Orifice Air Valve PN16



Flange Drilling
BS 4504 PN16, other standard on request.

Coating
High solid epoxy coating standard, other coating on request.

Properties
Removable cover on top of valve body casing for easy inspection and movement of orifice float (ball) .



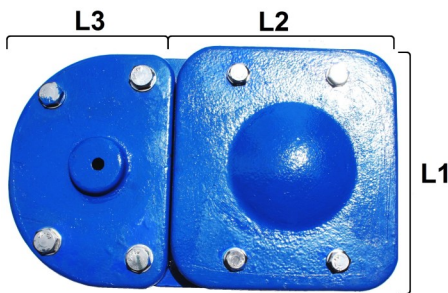
SPECIFICATIONS

No	Part	Material Specification
1	Orifice Float	ABS ISO 2580 > DN80 / Stainless Steel 304 < DN100
2	Body	Ductile Iron, BS EN 1563 Grade 500/7
3	Bolt	Galvanized Iron
4	Orifice Plate	Ductile Iron, BS EN 1563 Grade 500/7
5	Air Release Nipple	Brass BS 143/1256
6	Orifice Cover	Mild Steel / Ductile Iron, BS EN 1563 Grade 500/7
7	Air Release Nipple	Brass BS 143/1256

Flange Drilling
BS 4504 PN16, other standard on request.

Coating
High solid epoxy coating standard, other coating on request.

Properties
Removable cover on top of valve body casing for easy inspection and movement of orifice float (ball) .

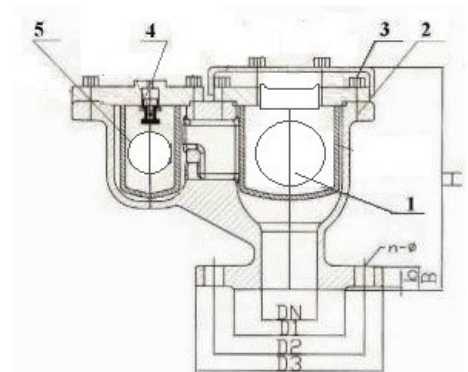


DIMENSIONS

DN	H	L1	L2	L3	D1	D2	D3	B	b	n-Ø
50	205	150	76	195	99	125	165	20	3	4-Ø19
80	225	170	82	208	132	160	200	20	3	8-Ø19
100	260	190	93	217	156	180	220	23	3	8-Ø19
150	315	240	119	243	211	240	285	23	3	8-Ø23
200	480	296	148	352	266	295	240	23	3	12-Ø23

SPECIFICATIONS

No	Part	Material Specification
1	Large Orifice Float	ABS ISO 2580/Stainless Steel 304
2	Body	Ductile Iron,BS EN 1563 Grade 500/7
3	Bolt	Galvanized Iron
4	Air Release Nipple	Brass BS 143/1256
5	Small Orifice Float	ABS ISO 2580/Stainless Steel 304



Pillar Hydrant



MATERIALS SPECIFICATIONS

No	Part	Material Specification
1	Body & Flanges	Ductile Iron, BS EN 1563 Grade 500/7
2	Painting	Coated with Hot Fusion Bonded Epoxy Paint.
3	Working Pressure	Water ~ 16 bar (Test Pressure 25 Bar)

A Standard Double Flanges Hydrant Elbow for fix a complet set of outdoor Fire Hydrant



Ductile Iron Duckfoot



Ductile Iron Ferrous Saddle (Polyamide Adaptor)



Type A
Size : DN80-DN300
Coating : High Solid Epoxy Coating
Tapping Hole : 20mm(3/4")
25mm(1")

DIMENSIONS

DN		n - M
100	110mm<122mm	2-M12
150	168mm<180mm	2-M14
200	219mm<232mm	2-M14
250	270mm<290mm	2-M16



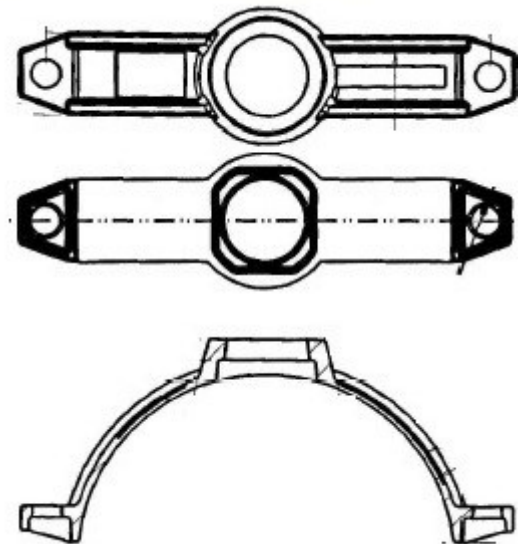
Type B
Size : DN80-DN300
Coating : High Solid Epoxy Coating
Tapping Hole : 20mm(3/4")
25mm(1")

DIMENSIONS

DN		n - M
100	110mm<114mm	2-M12
150	160mm<170mm	2-M14
200	200mm<219mm	2-M14
250	256mm<280mm	2-M16

SPECIFICATIONS

No	Part	Material Specification
1	Adaptor	Polyamide
2	Body	Ductile Iron,BS EN 1563 Grade 500/7
3	O Ring	EPDM,ASTMD 70° - 80° IRHD
4	Bolt & Nut	Galvanized Iron



Ductile Iron Ferrous Saddle



Type A
Size : DN80-DN300
Coating : High Solid Epoxy Coating
Tapping Hole : 20mm(3/4")
25mm(1")



Type B
Size : DN80-DN300
Coating : High Solid Epoxy Coating
Tapping Hole : 20mm(3/4")
25mm(1")

DIMENSIONS

DN		n - M
100	110mm<122mm	2-M12
150	168mm<180mm	2-M14
200	219mm<232mm	2-M14
250	270mm<290mm	2-M16

DIMENSIONS

DN		n - M
100	110mm<114mm	2-M12
150	160mm<170mm	2-M14
200	200mm<219mm	2-M14
250	256mm<280mm	2-M16

SPECIFICATIONS

No	Part	Material Specification
1	Body	Ductile Iron,BS EN 1563 Grade 500/7
2	O Ring	EPDM,ASTMD 70° - 80° IRHD
3	Bolt & Nut	Galvanized Iron



SPECIFICATIONS

Size Flange	SOCKET RangeØ		Bolts	
	Min mm	Max mm	No.	d
DN 50	50	65	4	M16
DN 65	68	80	4	M16
DN 80	85	95	4	M16
DN 100	105	125	4	M16
DN 150	155	180	4	M16
DN 200	205	235	6	M18
DN 250	260	290	6	M18
DN 300	315	350	6	M18

Our Universal Adaptor design to joint plain end pipes of various outside diameters with the same or different nominal bore in Mild Steel, Ductile Iron, uPVC, PE, Cast Iron and Asbestos Cement. Easy to install without disassembling and cost saving.

MATERIALS SPECIFICATIONS

No	Part	Material Specification
1	Sleeve & Flanges	Ductile Iron, BS EN 1563 Grade 500/7
2	Bolt , Nut & Washer	Zinc Coated Steel To BS 3692 Grade 5/Stainless Steel, BS 970 Part 1 SS 304
3	Rubber Gasket	EPDM BS 2494 Type W/MS 672:99. Other suitable rubber gasket qualities for aggressive media are available upon request.
4	Painting	Coated with Hot Fusion Bonded Epoxy Paint. Other coating will be available upon request.
5	Temperature Range	-10°C to +70° Max.
6	Working Pressure	Water ~ 16 bar (Test Pressure 25 Bar)

Note : Other materials, sizes and dimensions on request.

Universal Ductile Iron Coupling



Our Universal Coupling design to joint plain end pipes of various outside diameters with the same or different nominal bore in Mild Steel, Ductile Iron, uPVC, PE, Cast Iron and Asbestos Cement. Easy to install without disassembling and cost saving.

SPECIFICATIONS

Size	SOCKET RangeØ		Bolts		
	Flange	Min mm	Max mm	No.	d
DN 50		50	65	4	M16
DN 65		68	80	4	M16
DN 80		85	95	4	M16
DN 100		105	125	4	M16
DN 150		155	180	4	M16
DN 200		205	235	6	M18
DN 250		260	290	6	M18
DN 300		315	350	6	M18

MATERIALS SPECIFICATIONS

No	Part	Material Specification
1	Sleeve & Flanges	Ductile Iron, BS EN 1563 Grade 500/7
2	Bolt , Nut & Washer	Zinc Coated Steel To BS 3692 Grade 5/Stainless Steel, BS 970 Part 1 SS 304
3	Rubber Gasket	EPDM BS 2494 Type W/MS 672:99. Other suitable rubber gasket qualities for aggressive media are available upon request.
4	Painting	Coated with Hot Fusion Bonded Epoxy Paint. Other coating will be available upon request.
5	Temperature Range	-10°C to +70° Max.
6	Working Pressure	Water ~ 16 bar (Test Pressure 25 Bar)

Note : Other materials, sizes and dimensions on request.

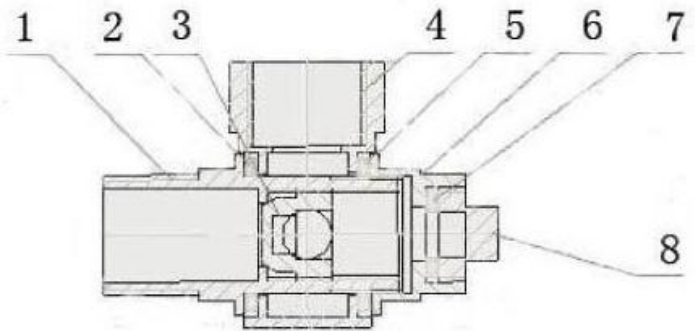
Brass Swivel Ferrule



Size : 20mm(3/4")
25mm(1")

MATERIALS SPECIFICATIONS

No	Description	Material Specification
1	Inner Sleeve	Standard Brass
2	O-Ring 1	Nitrile Rubber
3	Cutter Head	Standard Brass
4	Housing	Standard Brass
5	O-Ring 2	Nitrile Rubber
6	Cover	Standard Brass
7	O-Ring 3	Nitrile Rubber
8	Cap	Standard Brass



Brass Verical Ferrule



Size : 20mm(3/4")
25mm(1")

MATERIALS SPECIFICATIONS

No	Description	Material Specification
1	Housing	Standard Brass
2	Valve	Standard Brass
3	Spring	Standard Steel
4	Cover	Standard Brass
5	O-Ring	Nitrile Rubber

