

CHEZY STOP VALVES

BS EN 1213



**THE HEALTHY AND
HIGH PERFORMANCE
CHEZY STOP VALVES.**

TESTED QUALITY

MALAYSIAN MADE

ROBUST WITH HIGHEST FLOW RATES

SAFE CONSUMABLE WATER FOR ALL

DISTINCT DESIGN KNOBS & HANDLES



Contemporary
Design



Classic Design



Modern Design



CHEZY STOP VALVES

BS EN 1213

THE HEALTHY AND HIGH PERFORMANCE CHEZY STOP VALVES

TESTED QUALITY

MALAYSIAN MADE

ROBUST & HIGH FLOW RATES

SAFE WATER FOR ALL

DISTINCT KNOBS & HANDLES

Stop valves (stopcocks) for use in a building's plumbing system have become rather expensive with unscrupulous operators in their interest of reducing costs, use brass valves with high lead content (*this is especially true with cheap imported brass valves*). That is the reason why many brass stopcock suppliers do not provide test results to show that the material used in their manufacture is fit for use with water for human consumption.

The patented CHEZY Stop Valves complies with the rigid standards of BS EN 1213 for valves and uses *WRAS approved Nylon 6 (WRAS approved, a conformance mark that demonstrates the material complies with the high standards set out by the water regulations in the United Kingdom)*. Our Nylon 6 is used in all areas in contact with the water flowing through the valve, making the water safe for human consumption.

CHEZY Stop Valves have passed SIRIM tests to BS EN 1213 and is *extremely robust with high thread strength*. Size for size, tests have shown that our valves have the *lowest head loss and the highest flow rates* when compared to any other similar-sized stop valves available in the market.

The patented CHEZY stop valve can be used for both hot (70°C) and cold water applications (working pressure - 6 bar for hot water and 12 bar for cold water). Our valves have exceeded all tests conducted as per BS EN 1213.

Performance values of BS EN 1213 are as follows:

TORQUE TEST

15mm (½ inch)	10Nm
20mm (¾ inch)	15Nm
25mm (1 inch)	20Nm

BENDING MOMENT TEST

15mm (½ inch)	75Nm
20mm (¾ inch)	95Nm
25mm (1 inch)	150Nm

LEAK TIGHTNESS

60 seconds	16 Bar
------------	--------

PRESSURE RESISTANCE

10 minutes	25 Bar
------------	--------

FLOW CAPACITY

15mm (½ inch)	12 l/min
20mm (¾ inch)	24 l/min
25mm (1 inch)	42 l/min

ENDURANCE TEST

With a pressure between 2 Bar and 4 Bar (with the valve closed) and a flow rate of between 4 l/min & 6 l/min (with the valve open), repeat the above opening & closing for 10,000 cycles



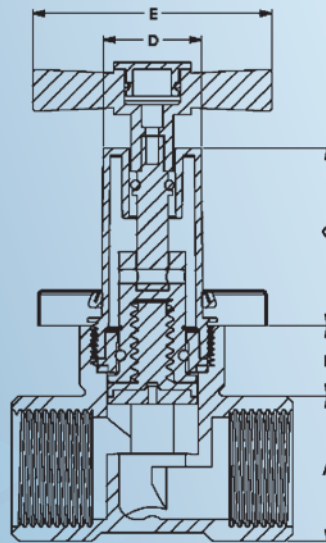


CHEZY STOP VALVES

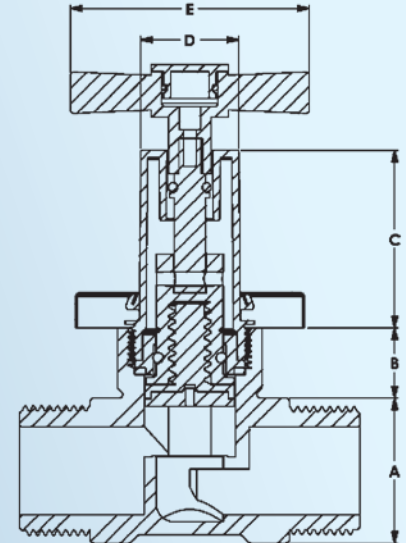
BS EN 1213

THE HEALTHY AND HIGH PERFORMANCE CHEZY STOP VALVES

High quality finishing (Nickel Chrome Plating) together with aesthetically pleasing handles are the hall mark of CHEZY designed valves. Our valves give an architecturally pleasing and high-end look in areas where used. Our valves have been engineered for high performance and low or zero maintenance.



Female Thread



Male Thread



CROSS HANDLE (X)

Item	Size	Dimension (mm)				
		A	B	C	D	E
Cross Handle (Female Thread)	1/2" / 15mm	32	21	51	28	60
	3/4" / 20mm	38	17	51	28	60
	1" / 25mm	47	18	51	28	60
Cross Handle (Male Thread)	1/2" / 15mm	32	21	51	28	60
	3/4" / 20mm	38	17	51	28	60
	1" / 25mm	47	18	51	28	60

C = 76mm

Ask for extended version in areas with extra thick plaster and tiling.



T-HANDLE (T)

Item	Size	Dimension (mm)				
		A	B	C	D	E
T-Handle (Female Thread)	1/2" / 15mm	32	21	51	28	60
	3/4" / 20mm	38	17	51	28	60
	1" / 25mm	47	18	51	28	60
T-Handle (Male Thread)	1/2" / 15mm	32	21	51	28	60
	3/4" / 20mm	38	17	51	28	60
	1" / 25mm	47	18	51	28	60

C = 76mm

Ask for extended version in areas with extra thick plaster and tiling.



CHEZY STOP VALVES

BS EN 1213

THE HEALTHY AND HIGH PERFORMANCE CHEZY STOP VALVES

CLASSIC HANDLE (C)



Item	Size	Dimension (mm)				
		A	B	C	D	E
Classic Handle (Female Thread)	1/2" / 15mm	32	21	51	28	67
	3/4" / 20mm	38	17	51	28	67
	1" / 25mm	47	18	51	28	67
Classic Handle (Male Thread)	1/2" / 15mm	32	21	51	28	67
	3/4" / 20mm	38	17	51	28	67
	1" / 25mm	47	18	51	28	67

C = 76mm

Ask for extended version in areas with extra thick plaster and tiling.

CLASSIC HANDLE

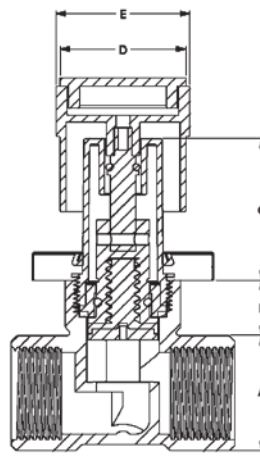
Traditional and age-old classic looking high-end valve. Full brass and nickel chrome handle.

SQUARE KNOB HANDLE (SQ)

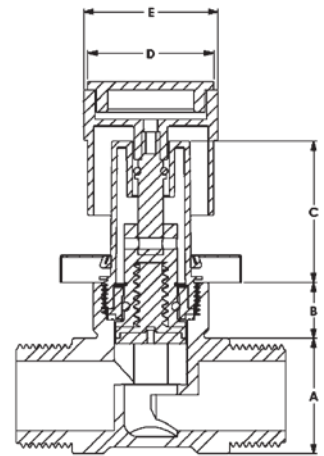


SQUARE KNOB HANDLE

Modern and classy heavy duty knob design.



Female Thread



Male Thread

Item	Size	Dimension (mm)				
		A	B	C	D	E
Square Knob Handle (Female Thread)	1/2" / 15mm	32	21	76	45	48
	3/4" / 20mm	38	17	76	45	48
	1" / 25mm	47	18	76	45	48
Square Knob Handle (Male Thread)	1/2" / 15mm	32	21	76	45	48
	3/4" / 20mm	38	17	76	45	48
	1" / 25mm	47	18	76	45	48

CHEZY STOP VALVES

PLASTIC SLEEVE WITH METAL HANDLES



**THE HEALTHY AND HIGH PERFORMANCE
CHEZY STOP VALVES.**



*Plastic Chrome
Sleeve Stop Valve*



*Brass Handle
Stop Valve*

*Plastic Black Short
Sleeve Stop Valve*



*Plastic Black Long
Sleeve Stop Valve*



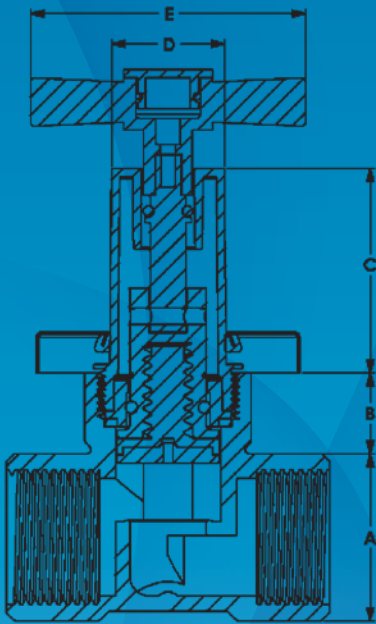


CHEZY STOP VALVES

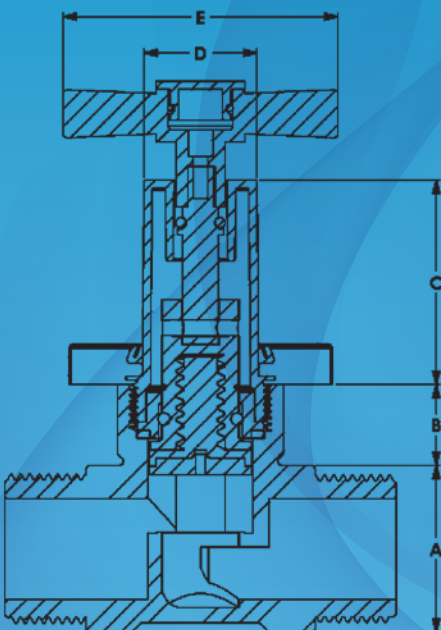
BS EN 1213

THE HEALTHY AND HIGH PERFORMANCE CHEZY STOP VALVES

All the models have female and male thread versions which also comes in T-handle and Cross Handle versions.



Female Thread



Male Thread

PLASTIC CHROME SLEEVE STOP VALVE (XC , TC)

Size	Dimensions (mm)				
	A	B	C	D	E
1/2" / 15mm	32	21	41	28	55
3/4" / 20mm	38	17	41	28	55
1" / 25mm	47	18	41	28	55

PLASTIC BLACK LONG SLEEVE STOP VALVE (TBL , XBL)

Size	Dimensions (mm)				
	A	B	C	D	E
1/2" / 15mm	32	21	41	28	55
3/4" / 20mm	38	17	41	28	55
1" / 25mm	47	18	41	28	55

No rosette provided for this model.

PLASTIC BLACK SHORT SLEEVE STOP VALVE (TBS , XBS)

Size	Dimensions (mm)				
	A	B	C	D	E
1/2" / 15mm	32	21	32	28.7	55
3/4" / 20mm	38	17	32	28.7	55
1" / 25mm	47	18	32	28.7	55

No rosette provided for this model.

BRASS HANDLE STOP VALVE

Size	Dimensions (mm)				
	A	B	C	D	E
1/2" / 15mm	32	21	19.5	19	50
3/4" / 20mm	38	17	19.5	19	50
1" / 25mm	47	18	19.5	19	50

No rosette provided and only comes with T-handle.



CHEZY STOP VALVES

BS EN 1213

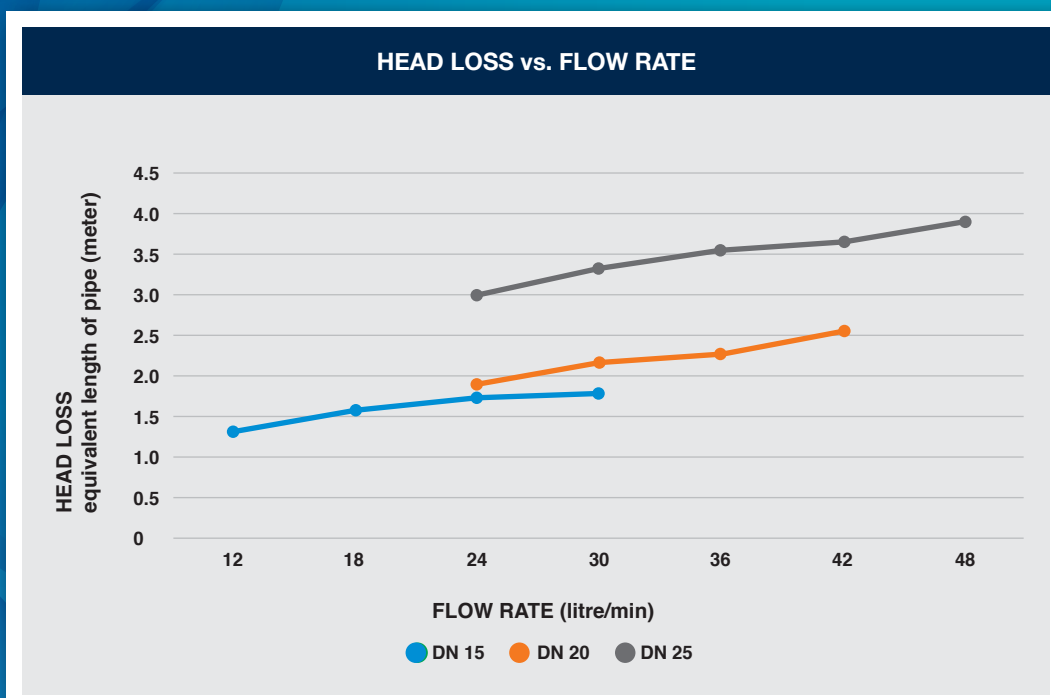
THE HEALTHY AND HIGH PERFORMANCE CHEZY STOP VALVES

LABORATORY HEAD LOSS DATA

FLOW RATE (litre/min)	DN 15 Head loss (bar)	DN 20 Head loss (bar)	DN 25 Head loss (bar)
12	0.13	-	-
18	0.28	-	-
24	0.43	0.15	0.12
30	0.71	0.2	0.2
36	-	0.3	0.25
42	-	0.32	0.33
48	-	-	0.43

Nominal Valve Size	Equivalent Length of Pipe (meter)
1/2" (DN 15)	1.6 (5.25')
3/4" (DN 20)	2.2 (7.2')
1" (DN 25)	3.5 (11.5')

Losses are for CHEZY valve in fully open position and in equivalent length of pipe.





WATER QUALITY TEST

(SIRIM REPORT NO.: 2016CED1113)

Water quality tests on CHEZY Stop Valve complies to all the requirements of BS 6920 (Partial results are shown below, for the complete test results, please contact us)

GROWTH OF AQUATIC MICROORGANISMS

Types of Tests	Requirement under BS 6920 : part 1 : 2014 : Clause 6	Test result after final extraction		
		After 5th Week	After 6th Week	After 7th Week
The mean dissolved oxygen difference (MDOD), mg/L	2.39 or less	0.13	0.09	0.06

The samples tested complied with the requirements of BS 6920: Part 1: 2014: clause 6.

EXTRACTION OF METALS

No.	Types of Test	Method Used	Requirement under BS 6920-1 : 2014: Clause 8 (maximum allowed)	Test result after 24 hours extraction/final extraction
1.	Aluminium (as Al), µg/L	APHA 3120 B	200	Less than 10
2.	Antimony (as Sb), µg/L	APHA 3120 B	5	Less than 2
3.	Arsenic (as As), µg/L	APHA 3120 B	10	Less than 4
4.	Boron (as B), µg/L	APHA 3120 B	1000	Less than 5
5.	Cadmium (as Cd), µg/L	APHA 3120 B	5	Less than 0.4
6.	Chromium (as Cr), µg/L	APHA 3120 B	50	Less than 1
7.	Iron (as Fe), µg/L	APHA 3120 B	200	Less than 0.4
8.	Lead (as Pb), µg/L	APHA 3120 B	10	Less than 6
9.	Manganese (as Mn), µg/L	APHA 3120 B	50	Less than 0.1
10.	Mercury (as Hg), µg/L	CTS/TP/AE/ In-house 002	1	Less than 1
11.	Nickel (as Ni), µg/L	APHA 3120 B	20	Less than 1
12.	Selenium (as Se), µg/L	APHA 3120 B	10	Less than 5

CHEZY stop valves comply with all the requirements of BS 6920-1: 2014.

CHEZY INDUSTRIES SDN. BHD. (563851-U)

No. 22, Jalan Uranus AK U5/AK, Taman Subang Impian, Seksyen U5, 40150 Shah Alam, Selangor Darul Ehsan

Tel : 03 - 7859 9499 Fax : 03 - 7832 1655

Email : enquiry@chezy.com.my

Website : www.chezy.com.my