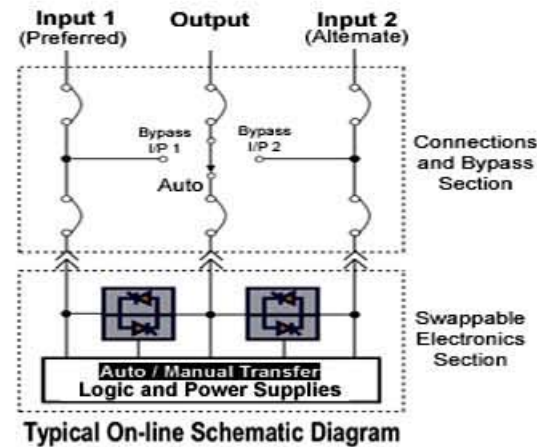


The **MicroMate** three-phase Static Transfer Switch (STS) is a fast solid-state switching device used to provide automatic transfers between two autonomous AC power sources, for instance the preferred UPS and the alternate UPS. This is to ensure continuity of AC power to critical loads, despite irregularities in either of the two power sources. The transfer is accomplished with a built-in IPFD (Intelligent Power Fail Detector) to provide fast sensing and break-before-make switching, eliminating risk of cross connection between the two input AC power sources.

The Static Transfer Switch consists of two parts,

- a fixed body containing the input and output connections, bypass control switch, digital voltmeter and status indicators;
- a hot-swappable electronics module containing automatic transfer and manual triggering facilities. The body casing is keylocked to prevent unauthorized door opening and removal of the swappable module. It is designed to allow replacement of the removable electronics module without having to de-energize the load equipment.



Technical Specifications

Model	STS-332	STS-340	STS-363	STS-3100
Ratings	32A, 480Vac	40A, 480Vac	63A, 480Vac	100A, 480Vac
Operation	SCR Ultra Fast Switching			
Power Sensing	IPFD (Intelligent Power Fail Detector)			
Inputs	AC 415V $\pm 10\%$, 3 ϕ , 50Hz $\pm 6\%$ (Preferred and Alternate)			
Output	AC 415V, 3 ϕ , 50Hz			
Transfer Time	<6ms Automatic Transfer, <0.5ms Manual Triggering			
Efficiency	>99%			
Crest Factor	3.5			
Power Factor	0.5 ~ 1.0			
No. of Poles	Four breaker poles			
Surge Protection	20 Joules @10/100uS & 1200A @8/20uS			
General Features	Manual and automatic transfers Selectable preferred input source Bypass capability for servicing convenience Status LEDs Information with Remote Indications (Dry Contacts) Swappable control module			
Ambient & Humidity	45 °C max. & 95% non-condensing			
Dimension (mm ³)	W420 x D325 x H430			
Weight (approx)	23 ~ 33KG			

MicroMate[®]

Three-phase Static Transfer Switch

* Due to the policy of continued product improvement, specifications are subject to change without notice.

