

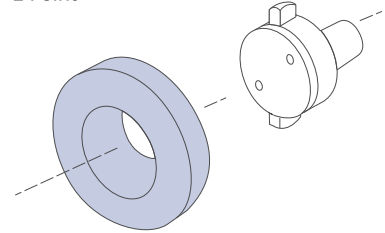
Special Bore Measurement - Spherical

2 Point Spherical

Measurement of ovality in bore.
Measurement of bores with irregularities.



2 Point

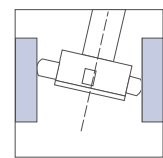
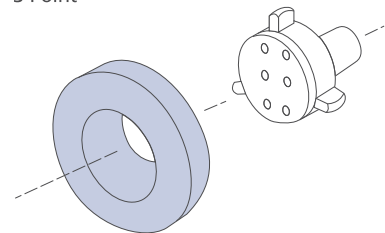


3 Point Spherical

Gives good repeatability even when out of line with bore centre.
Available from 6-300mm diameter on digital systems.

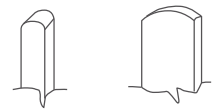
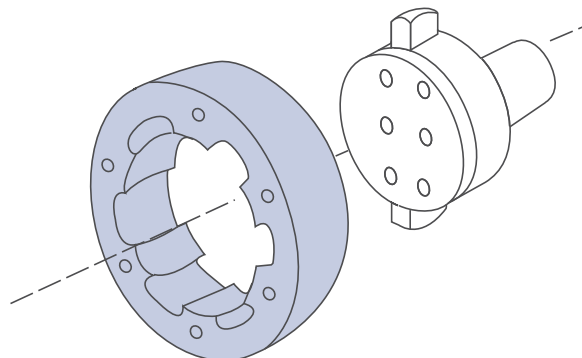


3 Point



Spherical Radius

Can be supplied as a 2 point
(for ovality) or 3 point contact.
Available from 6-300mm.



Front view Side view

