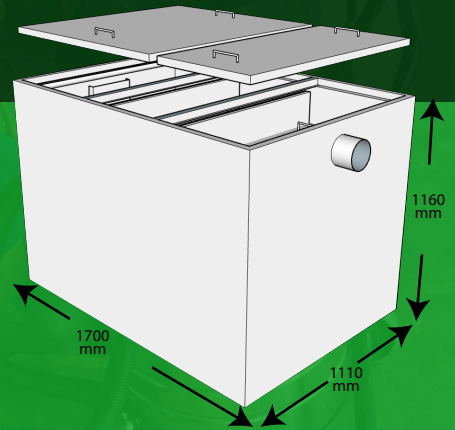


# GREASE TRAP GTA3250

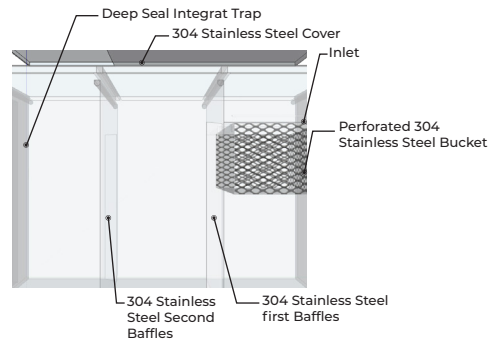
**NEW MODEL**  
2019

*"No More Clogged and  
Stinking Problem".*



## MODEL SPECIFICATIONS

**Model Name:** GTA3250  
**Flow Rates (Minutes):** 250 GPM  
**Meals Served Daily:** 4400-6000  
**Pipe Size (mm):** 6"  
**Grease Trap's Size:**  
67" (L) x 44" (W) x 46" (H) inches  
**Grease Trap's Size:** 1603 litre  
**Maximum Capacity until  
Overflow:** 2188 litre  
**Material:** 304 Stainless Steel  
**Kesesuaian Kegunaan:** Factory/Canteen



\* In keeping with our policy of updating products we reserve the right to make improvements or changes.



Product Brand: **ULTRAEJAU**®