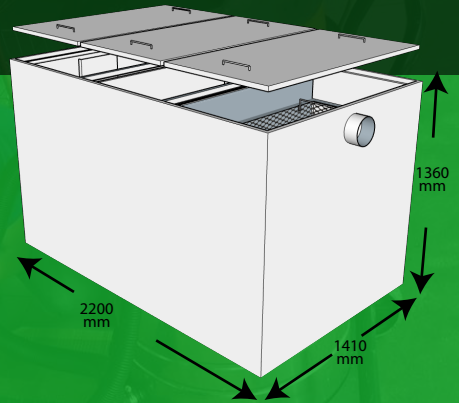


GREASE TRAP GTA3450

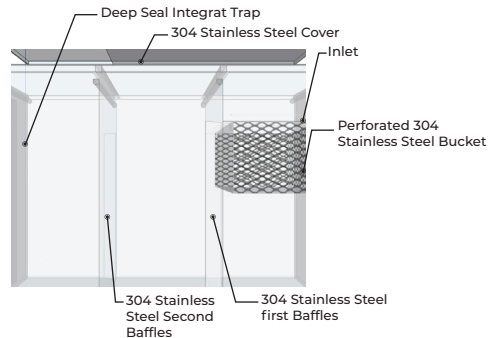
Approved By
Local Authority

*"No More Clogged and
Stinking Problem".*



MODEL SPECIFICATIONS

Model Name: GTA3450
Flow Rates (Minutes): 450 GPM
Meals Served Daily: 9400-12000
Pipe Size (mm): 6"
Grease Trap's Size:
87" (L) x 56" (W) x 54" (H) inches
**Maximum Grease & Waste Water
Trap Capacity:** 3257 litre
**Maximum Capacity
until Overflow:** 4218 litre
Material: 304 Stainless Steel
Suitability: Factory/Canteen/
Hotel



* In keeping with our policy of updating products we reserve the right to make improvements or changes.



Product Brand: **ULTRAEJAU**®