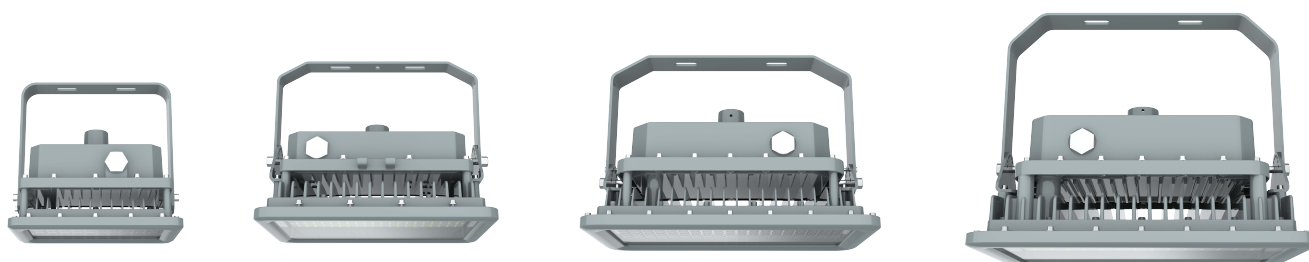


A Series

LED Explosion Proof Light



A2

A

A3

A4

Certifications:

- ◆ Marking ATEX
 - ◆ II 3 G Ex ec IIC T6...T3 Gc
 - ◆ II 2 D Ex tb IIIC T85°C...T100°C Db
 - ◆ II 2 G Ex eb mb IIC T6...T4 Gb
 - ◆ II 2 D Ex tb IIIC T80°C...T100°C Db
- ◆ Marking IECEx
 - ◆ Ex ec IIC T6...T3 Gc
 - ◆ Ex tb IIIC T85°C...T100°C Db
 - ◆ Ex eb mb IIC T6...T4 Gb
 - ◆ Ex tb IIIC T80°C...T100°C Db
- ◆ Marking UL844 (North American)
 - ◆ Class I, Division 2, Groups A, B, C, D
 - ◆ Class II, Division 1, Groups E, F, G
 - ◆ Class II, Division 2, Groups F, G
 - ◆ Class III
- ◆ Marine Marking
 - ◆ UL 1598
 - ◆ UL1598A
 - ◆ ABS
- ◆ IP66

Standard Materials:

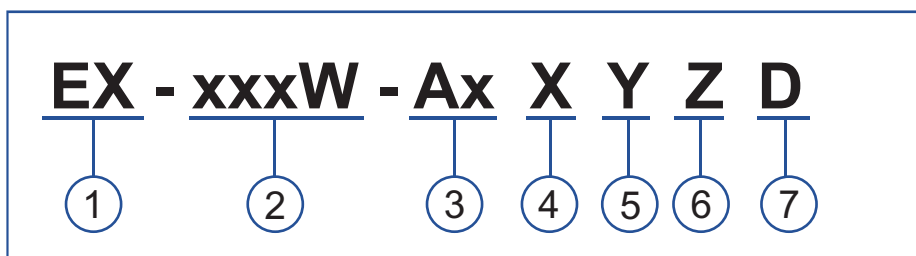
- ◆ Housing: Copper-free aluminum
- ◆ Lens: Tempered glass
- ◆ Hardware: Stainless steel
- ◆ Mounting Bracket: Stainless steel

LED Explosion Proof Light - A Series

Key Features:

- ① Dimmable and battery backup function is available.
- ② High-quality SMT LED and Meanwell driver.
- ③ Heavy-duty and high impact resistance.
- ④ Replaceable LED board and drivers.
- ⑤ Integrated junction box for driver.
- ⑥ Marine rating powder coated finish treatment.
- ⑦ Various installation ways for different applications.
- ⑧ Glass lens or polycarbonate lens for making different beam angles.
- ⑨ 5-year warranty.
- ⑩ Low temperature applications to -40°C (-40°F) and high temperature up to 65°C (149°F).

Catalog Number Logic:



① **PRODUCT CATEGORY**

- ◆ Explosion proof light

② **WATTAGE**

- ◆ 20W-400W

③ **PRODUCT SERIES**

- ◆ A ◆ A2 ◆ A3 ◆ A4

④ **DIMMING OPTION**

- ◆ D= dimmable
- ◆ N= Non-dimmable

⑤ **CCT**

- ◆ From 2200K to 7000K
- ◆ 22=2200K, 30=3000K, ..., 70=7000K

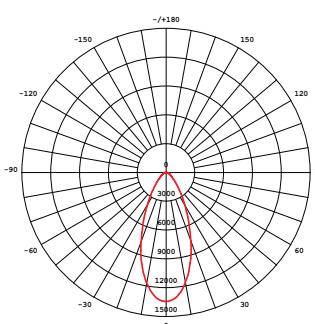
⑥ **BEAM ANGLE**

- ◆ D40= 40° ◆ D90= 90°
- ◆ D60= 60° ◆ D120= 120°

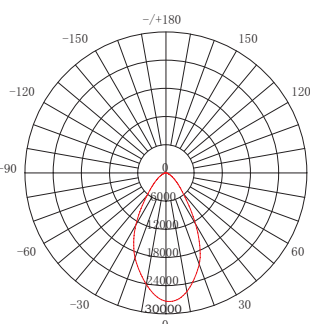
⑦ **GLASS TYPE**

- ◆ A=blank: Flat glass
- ◆ A=C: Spherical glass

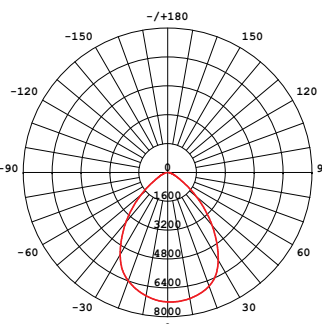
Photometry:



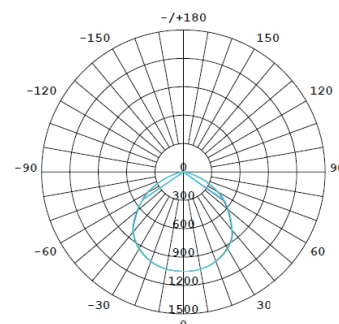
Beam angle: 40°



Beam angle: 60°



Beam angle: 90°



Beam angle: 120°

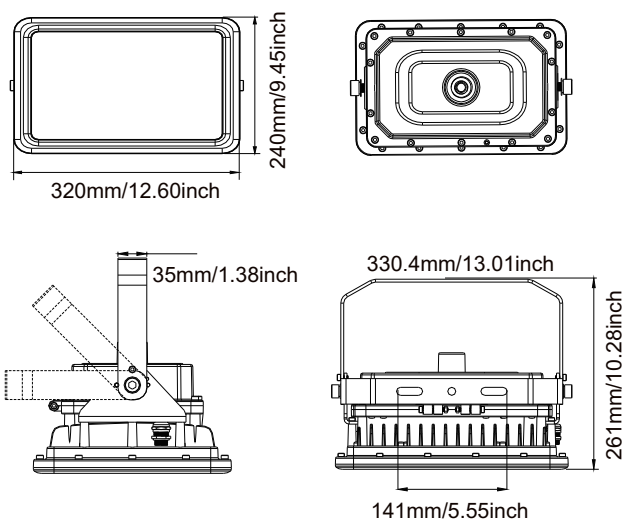
LED Explosion Proof Light - A Series

Technical Data:

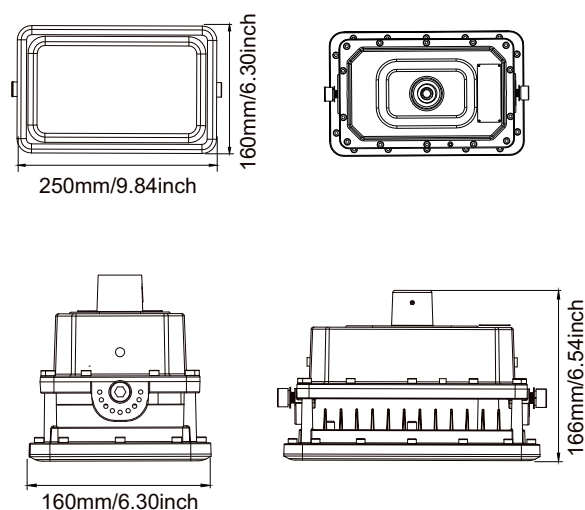
Model	Wattage	Working Temperature	Operating Voltage	Lumens (lm)	Efficacy (lm/W)	CRI	CCT	Emergency Time
EX-20W A2XYZD	20W	65°	AC100-277V DC12-48V	2,800	140	>70	2200K-7000K	3 hours
EX-40W A2XYZD	40W	55°		5,600				
EX-60W A2XYZD	60W	40°		8,400				
EX-80W A2XYZD	80W	40°		11,200				
EX-100W AXYZD	100W	40°		14,000				
EX-120W A2XYZD	120W	40°		16,800				
EX-20W AXYZD	20W	65°	AC100-277V DC12-48V	2,800				
EX-40W AXYZD	40W	55°		5,600				
EX-60W AXYZD	60W	40°		8,400				
EX-80W AXYZD	80W	40°		11,200				
EX-100W AXYZD	100W	40°		14,000				
EX-120W AXYZD	120W	40°		16,800				
EX-50W A3XYZD	50W	65°	AC100-277V DC12-48V; AC200-480V	7,000				
EX-100W A3XYZD	100W	55°		14,000				
EX-150W A3XYZD	150W	40°		21,000				
EX-180W A3XYZD	180W	40°		25,200				
EX-200W A3XYZD	200W	40°		28,000				
EX-200W A4XYZD	200W	55°		28,000				
EX-250W A4XYZD	250W	50°		35,000				
EX-300W A4XYZD	300W	40°		42,000				
EX-400W A4XYZD	400W	40°		56,000				

Dimensions:

A Series



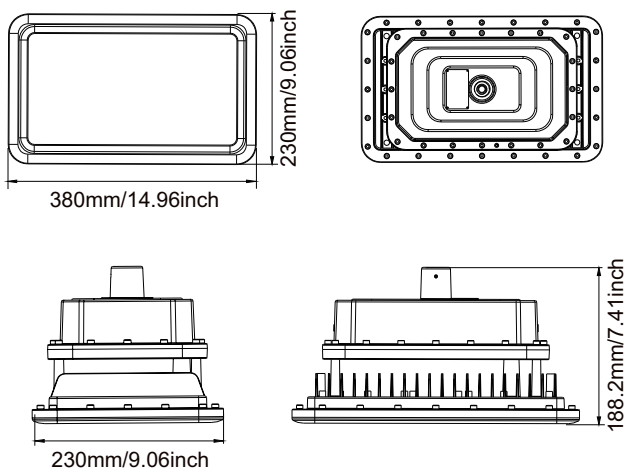
A2 Series



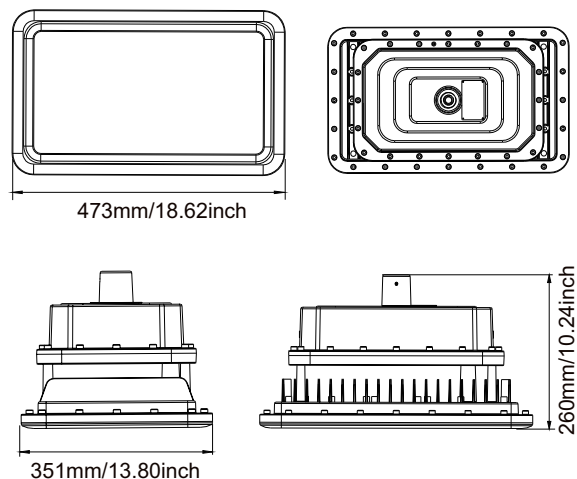
LED Explosion Proof Light - A Series

Dimensions:

A3 Series



A4 Series

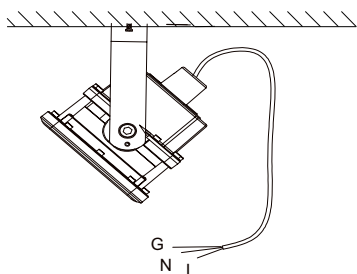


Packing Information:

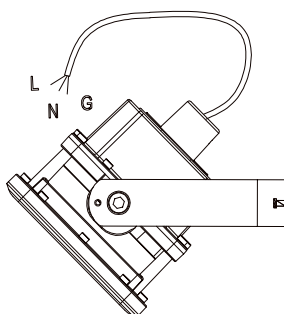
Model	Quantity/Carton	Packing Size	Net Weight	Gross Weight
A2	1 PCS	365x270x305mm/14.37x10.63x12.01inch	4.15 kg/ 9.15 lbs	5.3 kg/ 11.68 lbs
A	1 PCS	375x340x215mm/14.76x13.39x8.46inch	6.95 kg/ 15.32 lbs	7.9 kg/ 17.42 lbs
A3	1 PCS	485x340x365mm/19.09x13.39x14.37inch	8.3 kg/ 18.30 lbs	10.3 kg/ 22.71 lbs
A4	1 PCS	350x470x400mm/13.78x18.50x15.75inch	15.1 kg/ 33.29 lbs	17 kg/ 37.48 lbs

Mounting Methods:

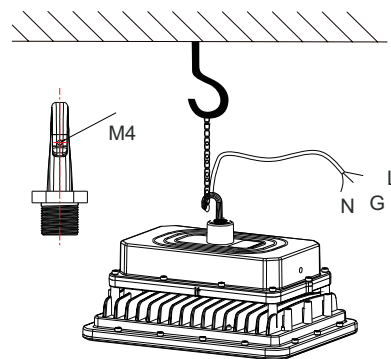
◆ Ceiling Mounting:



◆ Wall Mounting:

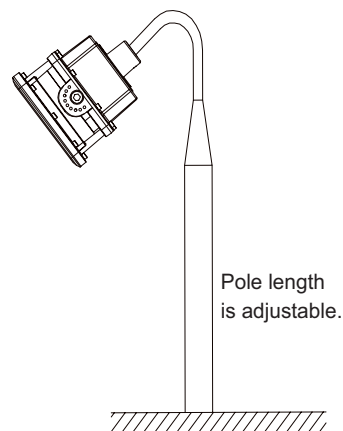
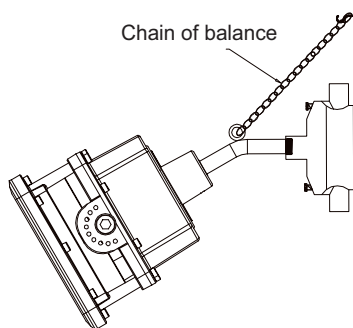
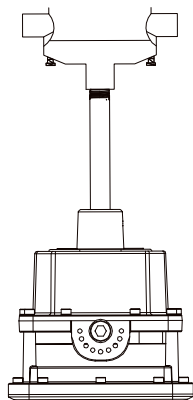


◆ Hook Mounting:

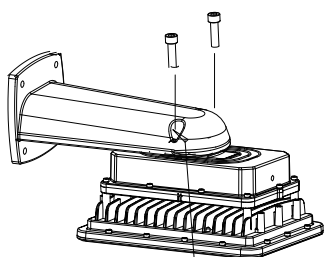


LED Explosion Proof Light - A Series

◆ Pole Mounting:



◆ Arm Mounting:

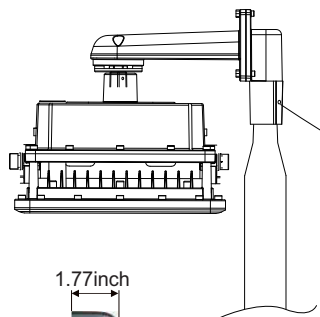


1.77inch

Make sure the screw is fixed well for safety.

6# Allen key

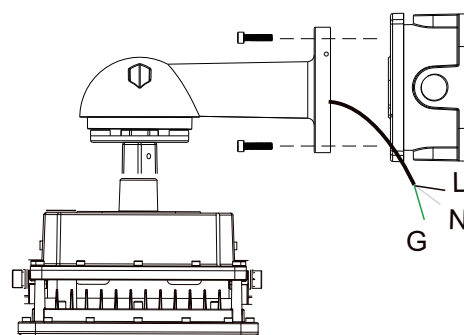
◆ Stanchion Mounting:



1.77inch

8# Allen key

◆ Wall Mounting with Junction Box:



Accessories:



- **Model: Ex-Junction Box**
Name: Junction Box
Material: Aircraft Aluminum A383



- **Model: Ex-25P Support**
Name: 25° Pole Support
Material: Aircraft Aluminum A383



- **Model: Ex-D01**
Name: Pendant Direction Adapter
Material: Aircraft Aluminum A383



- **Model: Ex-Bended Pipe**
Name: Bended Pipe
Material: Iron



- **Model: Ex-25J Support**
Name: 25° Arm with Junction Box
Material: Aircraft Aluminum A383



- **Model: Ex-90P Support**
Name: 90° Pole Support
Material: Aircraft Aluminum A383



- **Model: Ex-MArm**
Name: Surface Mounting Arm
Material: Aircraft Aluminum A383



- **Model: Ex-25A Support**
Name: 25° Arm Support
Material: Aircraft Aluminum A356



- **Model: Ex-DArm**
Name: Direct Mounting Arm
Material: Aircraft Aluminum A383



- **Model: Ex-90J Support**
Name: 90° Arm with Junction Box
Material: Aircraft Aluminum A383



- **Model: Ex-Conduit 01**
Name: Metal Conduit
Material: Stainless Steel and Aluminum



- **Model: Ex-Hook**
Name: Installation Hook
Material: Aircraft Aluminum A383



- **Model: Ex-90A Support**
Name: 90° Arm Support
Material: Aircraft Aluminum A356



- **Model: Ex-Straight Pipe**
Name: Straight Pipe
Material: Iron

Application :

- ◆ Oil and gas industry
 - All petroleum production and refining
 - Petroleum loading and transportation
 - Petroleum storage and retail
 - LNG industry
 - All mining operations and service
- ◆ Ocean, marine and aerospace field
 - Ocean platform operation facilities
 - Aerospace clean room and production
 - Ocean vessel operations
- ◆ Food and alcohol industry
 - Flour and fine particle production and storage
 - Food and distilling production
 - Alcohol industry
- ◆ Chemical industry
 - All types of paint facilities
 - Chemical production and storage
- ◆ Metal treatment
 - Steel and aluminum factories
 - Pumping stations in any environment
 - Metal smelting, foundry and fabrication
- ◆ Other high humidity, high dust, high temperature, vapor locations.