



# TOMELLERI ENGINEERING

Hi-End articulated arm technology

## **MERCURY**

**THE HIGHEST ACCURACY MADE EASY**



### **The result of our experience**

The MERCURY Arm is the result of over 30 years in the manufacturing of high-end Articulated Arms. Further improved by a new hardware and software solutions, this arm reaches a level of accuracy never seen before

### **Perfect balance**

The MERCURY Arm is characterized by a completely new handling solution with an optimized mass counterbalance, making the arm very light in the hands and ensuring an immediate confidence.

### **Home position in front**

Thanks to the innovative counter-balance, the MERCURY Arm has a safe home position directly in front of the operator. To take the arm and put it back has never been so quick and easy.

### **Ready to operate**

The MERCURY Arm is designed to obtain the best performances with the best handling conditions. The arm can be placed directly on the supporting surface without fixation, or on a tripod, as for user preference.

## **CONFIGURATIONS**

With 6 axes configuration

With fixed probe or Autojoint interchangeable system

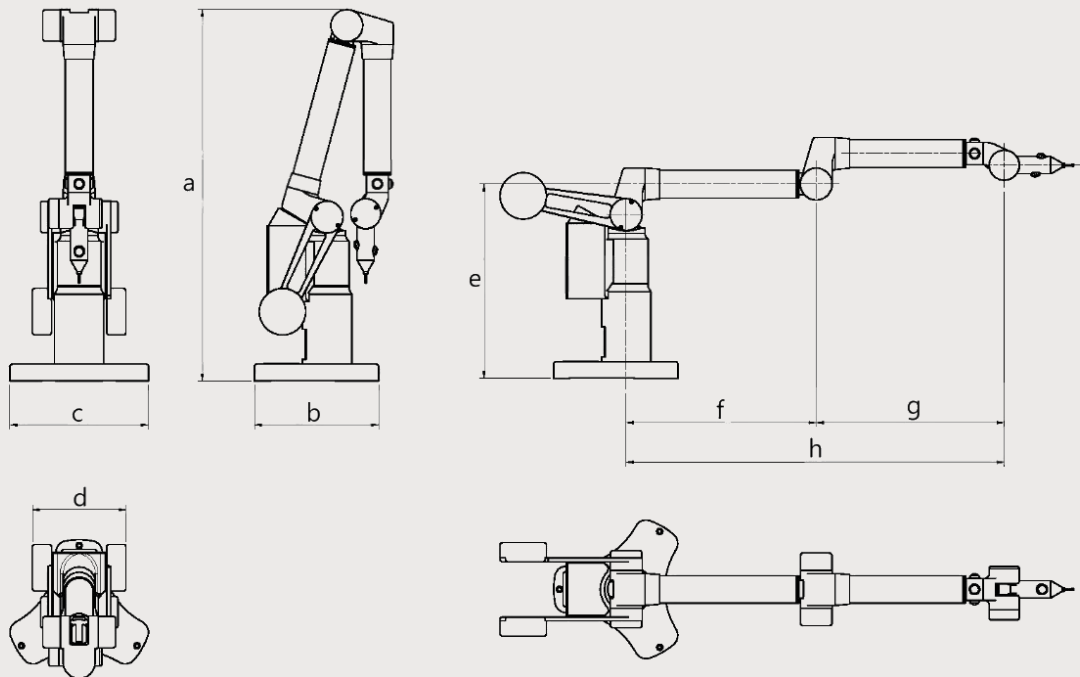
With cabled or wireless communication

*compatible with*



**SMARTOUCH**

## DIMENSIONS



	DIMENSIONS (mm)								WEIGHTS
	a	b	c	d	e	f	g	f	
MERCURY 1300	639	214	239	161	334	327	323	650	9,5 kg
MERCURY 1800	760	214	239	175	334	452	448	900	10,4 kg

## SPECIFICATIONS

		Measuring field	Volumetric Accuracy (mm)*	Repeatability (mm)
SPM6013	MERCURY 1300	1300 mm	0,015	0,008
SPM6018	MERCURY 1800	1800 mm	0,018	0,008

\*= values reported are expressed with 2  $\sigma$  error.

## TECHNICAL DATA

POWER SUPPLY	100-240 V   50-60 Hz
PROTECTION	IP 54
OPERATING CONDITIONS	+10°/+40°   Humidity 90% without condensing
CONFORMITY	In compliance with CE