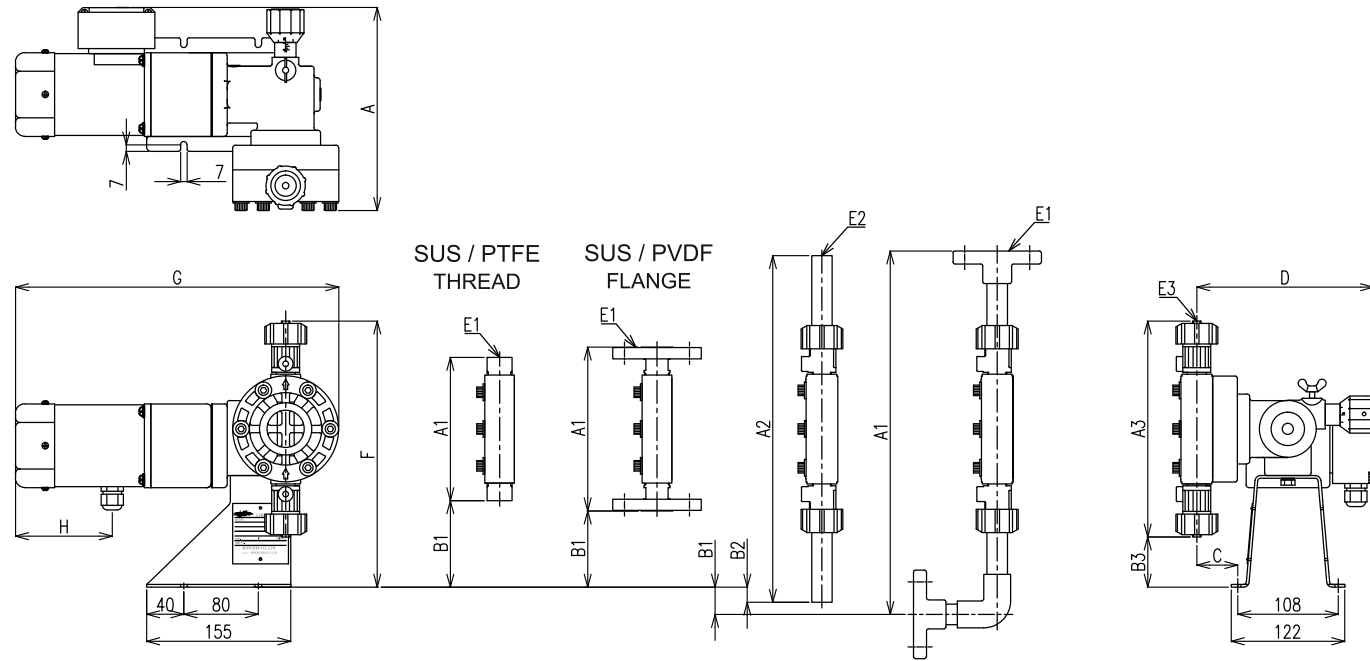


**DIMENSIONS**



MODE	MATERIAL	A	A1	A2	A3	B1	B2	B3	C	D	E1	E2	E3	F	G	H
BX01.03.05	PVC	232	364	343	166	16	2	87	37	183	15A JIS 10K FLANGE	VP16 UNION	Ø6 IDXØ110D HOSE	253	*309	77
	SUS / PVDF	232	156	—	—	92	—	—			PT 1/4"	248	*308			
	SUS / PTFE	207	106	—	—	117	—	—			223	*300				
BX10.20.30	PVC	232	376	355	178	22	8	81	37	183	15A JIS 10K FLANGE	VP16 UNION	Ø6 IDXØ110D HOSE	259	289	80
	SUS / PVDF	232	176	—	—	82	—	—			PT 1/4"	258	293			
	SUS / PTFE	207	126	—	—	107	—	—			233	282				
BX50	PVC	232	376	355	214	22	8	63	37	183	15A JIS 10K FLANGE	VP16 UNION	Ø9 IDXØ150D HOSE	277	289	80
	SUS / PVDF	233	156	—	—	92	—	—			38	184	248	293		
	SUS / PTFE	209 217	134	—	—	103	—	—			38 42	184 188	237	282		
BX70.100	PVC	238	391	373	232	29	16	54	44	190	15A JIS 10K FLANGE	VP16 UNION	Ø9 IDXØ150D HOSE	286	348	104
	SUS / PVDF	239	176	—	—	82	—	—			43	189	258	351		
	SUS / PTFE	217	154	—	—	93	—	—			247	282				

※BX01 Unit:mm

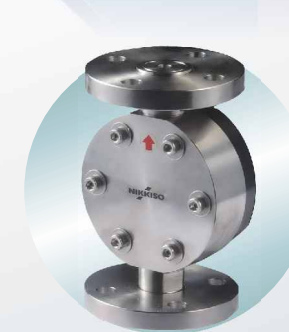
**SHUN EIKO CO., LTD.**

NO.11, KUNG ERH RD., LINKOU DIST,  
NEW TAIPEI CITY, TAIWAN  
TEL: 886-2-26015831  
FAX: 886-2-86011017

**CHEMIPON® B Series BX**  
**Diaphragm type metering pump**



PTFE



SUS



PVC

SHUN EIKO CO., LTD.

Maximum discharge capacity reaches more than 2 L/min!!!!!!

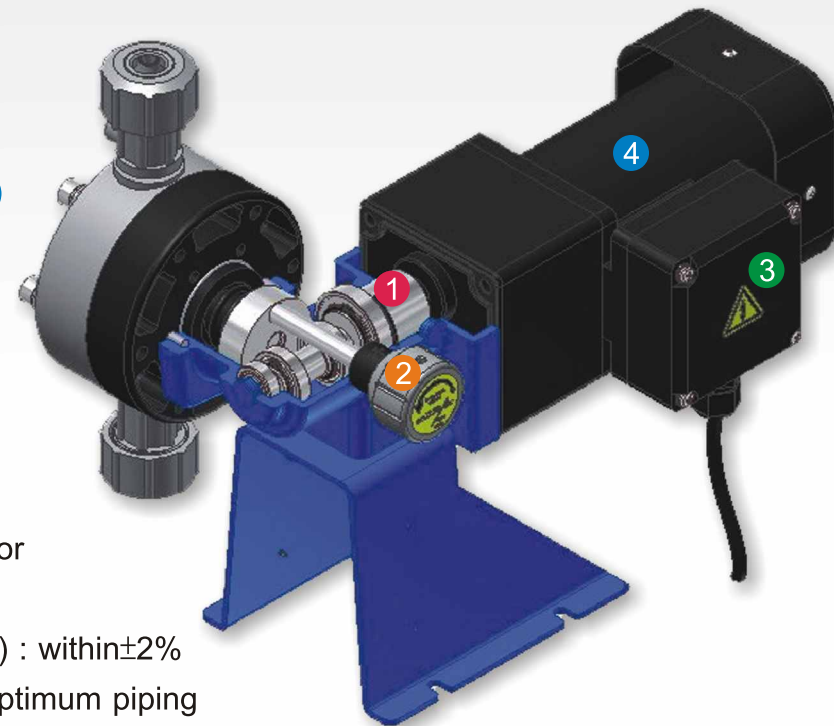
NIKKISO EIKO developed series BX with the experienced technologies and the customer's advantages.

① Double cam design, stable operation.

② Manual control is easy.

③ Cover with wire box.

④ Motor level upgrade to F (IP55)



## FEATURE

- \* Compact, easy to install
- \* Various materials for liquid ends, selection of the suitable materials or the applied liquids is possible
- \* Discharge accuracy (Repeatability) : within±2%
- \* Various types of connections for optimum piping
- \* Easy maintenance

## IDENTIFICATION

<b>BX</b>	<b>10</b>	<b>-</b>	<b>P</b>	<b>C</b>	<b>F</b>	<b>-</b>	<b>H</b>	<b>110</b>	<b>SP</b>
①	②	-	③	④	⑤	-	⑥	⑦	⑧

① Series name

② Type No .

③ Pump head P : PVC S : SUS304 M : SUS316  
D : PVDF T : PTFE

④ Ball valve C : Ceramic S : SUS304 M : SUS316

⑤ O-ring/Gasket E : EPDM F : FPM T : PTFE

⑥ Connection F : Flange H : Hose  
K : Thread U : Union

⑦ Power

110: 1Ø 100V~110V (50/60Hz)

120: 1Ø 200V~240V (50/60Hz)

320: 3Ø 200V~240V (50/60Hz)

338: 3Ø 380V~415V (50/60Hz)

344: 3Ø 440V~480V (50/60Hz)

⑧ Special design

K : For high viscosity liquid (Polymer)

## BX SPECIFICATION

Model	Diaphragm Dia. (mm)	Stroke length (mm)	Stroke speed (spm)		Speed ratio	Discharge capacity (ml/min)		Max. Dis. Pressure (Mpa)	Motor output (W)	Standard pipe (PVC)
			50Hz	60Hz		50Hz	60Hz			
<b>BX01</b>	φ42	2	16	20	1/90	14	16	1	40	Hose type φ6 x φ11
<b>BX03</b>			75	90	1/20	77	92			
<b>BX05</b>			120	144	1/12.5	120	145			
<b>BX10</b>	φ65	4	100	120	1/15	320	385	0.5	90	Hose type φ9 x φ15
<b>BX20</b>			75	90	1/20	430	530			
<b>BX30</b>			120	144	1/12.5	730	885			
<b>BX50</b>	φ84	8	166	200	1/9	1025	1215	0.5	90	Hose type φ9 x φ15
<b>BX70</b>			75	90	1/20	1475	1815			
<b>BX100</b>			120	144	1/12.5	2355	2845			

## MATERIALS

Diaphragm Head	Diaphragm	Ball Valve	Valve Seat	Joint	Applied chemicals
<b>PVC</b>	PTFE/EPDM	GERAMIC	FPM/EPDM PVC	PVC	Sulfuric acid, Hydrochloric acid, Sodium hypochlorite, PAC, Urea Phosphoric acid
<b>PVC</b>		SUS304	SUS304	PVC	Active carbon, Sodium hydroxide, Flocculant, Lime.
<b>SUS304</b>		SUS304	SUS304	SUS304	Solvents, Alcohol

## BX ACCESSORIES



	Name	Model	Applied pump model
Standard accessories	Anti-siphon check valve	<b>B55PV</b>	BX01~BX30
		<b>B73PV</b>	BX50~BX100
Optional accessories	Filter	<b>B64PV</b>	BX01~BX30
		<b>B66PV</b>	BX50~BX100
Optional accessories	Foot valve	<b>B63PV</b>	BX01~BX30
		<b>B65PV</b>	BX50~BX100