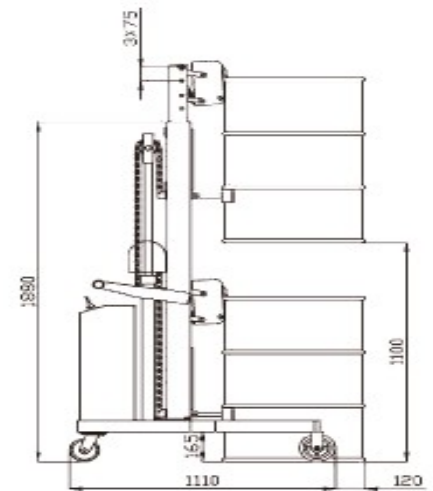
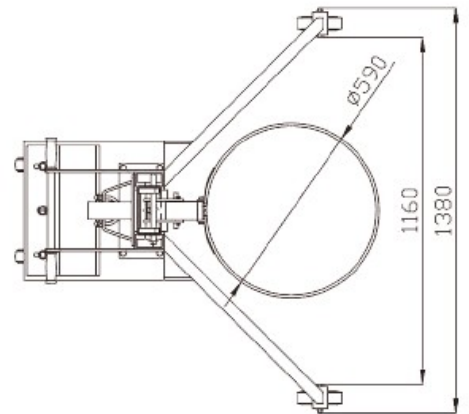


# Semi Electric Drum Truck

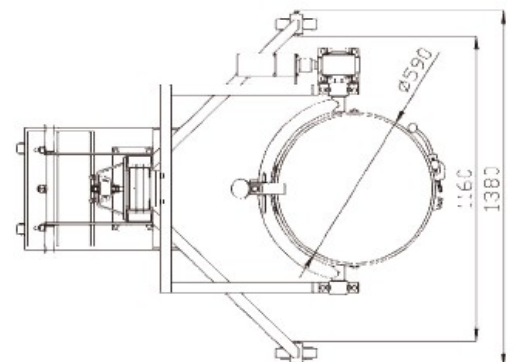
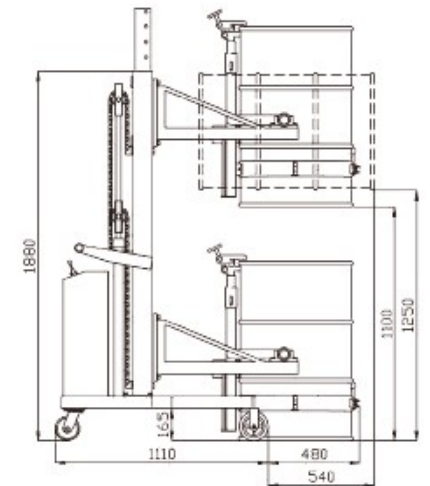
# EDT/ETF



EDT300



ETF300



Model	EDT300	ETF300
Load Capacity(kg)	300	
Lifting Height(mm)	1100	
Power(Kw)	1.6	
Battery(V/Ah)	12/120	
Drum Size(mm)	55mm Steel Drum/210L Plastic Drum	
Front Wheel(mm)	150 x 50	
Swivel Wheel(mm)	125 x 50	
Inner and Outer Leg(W)(mm)	1160/1380	
Overall Dimensions(mm)	1110 x 1380 x 1880	
Self Weight(kg)	178	230