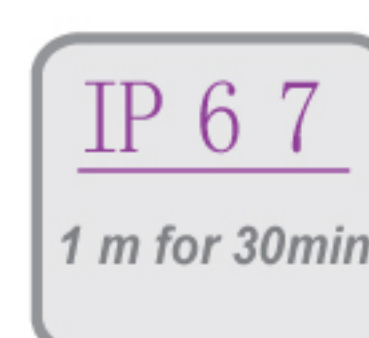




- Designed to meet GMDSS requirements related with performance standards for survival craft two-way VHF radio telephone apparatus, such as IMO MSC.149 (77) and IEC 61097-12.
- Compact, lightweight and rugged construction.
- Full marine-use VHF channels can be available.
- Type approval with DNV-GL (MED) , CCS, RS and VR.



## SPECIFICATIONS

### ● TECHNICAL SPECIFICATIONS

Frequency Range: 156.300~162.975 MHz  
 Operating Channels: 19 channels (default)  
 Operating Hours: ≥8 hours (TX10%, RX10%, Standby80%)  
 Output Power: High 3.0W / Low 0.5W

### ● BATTERY REQUIREMENTS (NBT200)

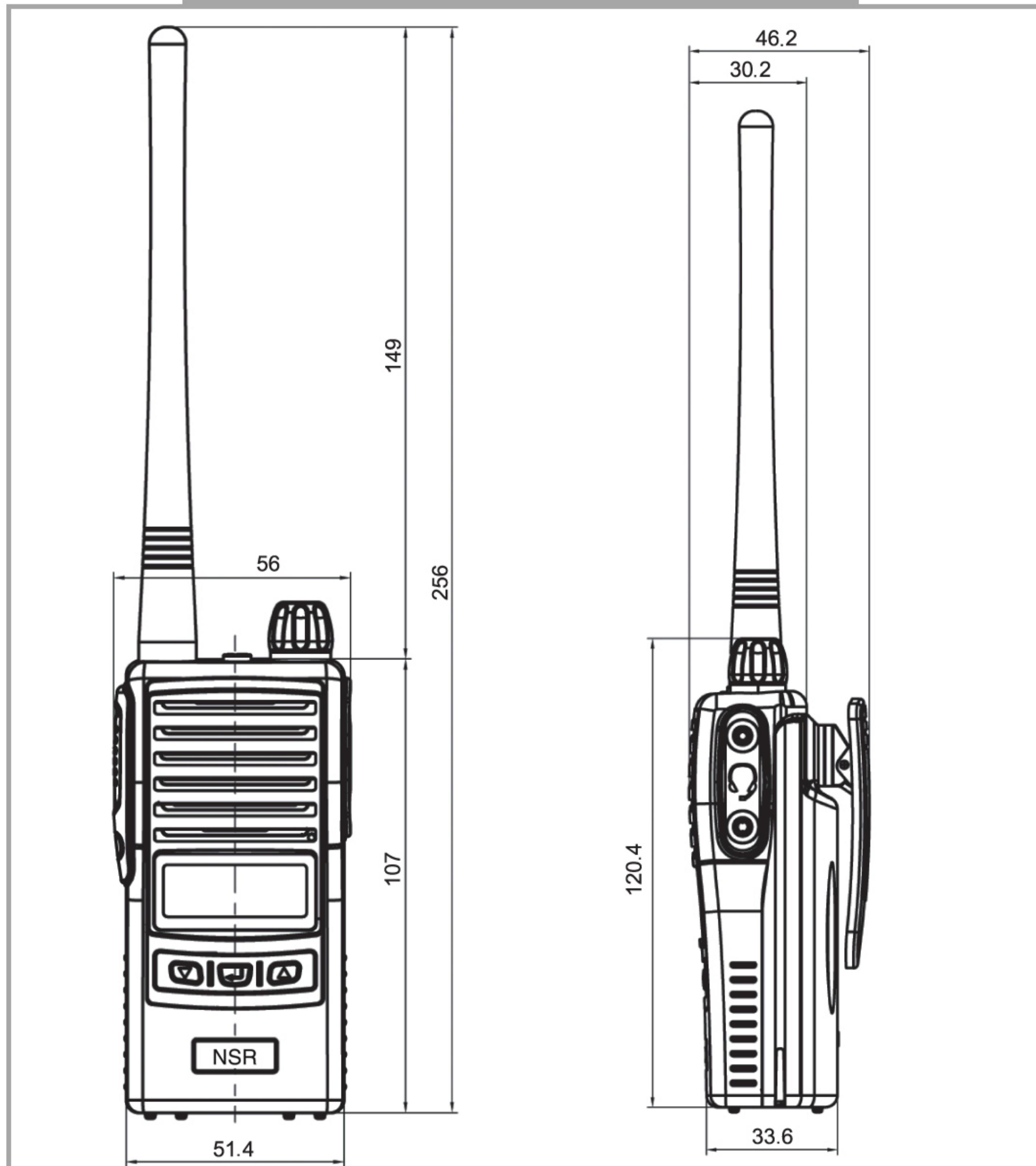
Battery Voltage: DC 7.2V  
 Storage Temp: -30°C~+70°C  
 Storage Time: max 4 years on board  
 (plus one year of shelf time)

### ● DIMENSION & WEIGHT

Dimension: 256 (H) × 56 (W) × 46.2 (D) mm  
 Weight: 400g (Transceiver+Emergency Battery)

● IP Grade: IP67 (Transceiver / Battery)  
 IP22 (Charger / Adaptor)

## SIZE DIMENSION



## EQUIPMENT LIST

### ● STANDARD

- Transceiver & Antenna 1 set
- Emergency Battery (NBT200) 1 pc
- Belt Clip 1 pc
- Wrist Rope 1 pc
- Rechargeable Battery (NBT200C) 1 pc
- Charger 1 pc
- AC/DC Adaptor 1 pc



Battery  
Emergency / Rechargeable



Wrist Rope



Bwlt Clip



Battery Charger



AC/DC Adapter