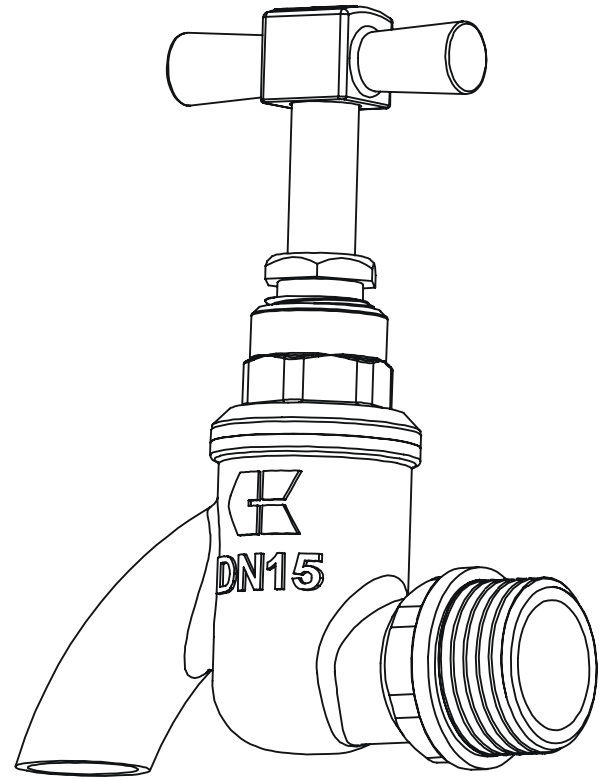


gKENT

Bibtap



Technical Specification:

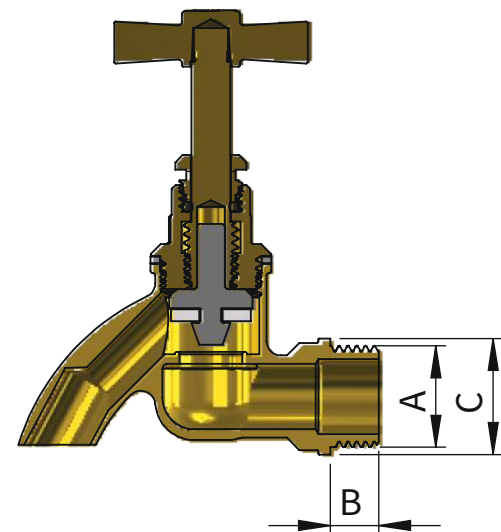
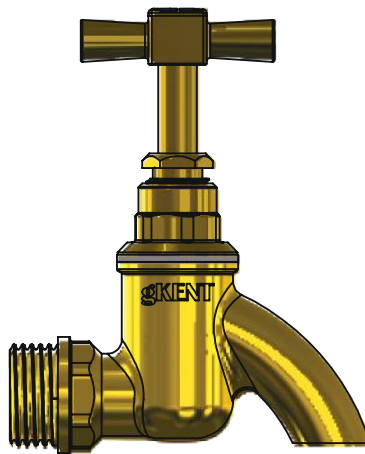
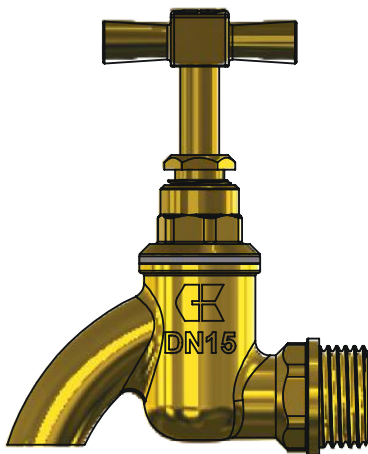
Specification	DN15 (½ inch)
Nominal Pressure	PN16
Working Temperature, °C	≤ 50
Application Medium	Potable Water

Dimension:

A	G 1/2 B
B	10.0
C	22.5

Flow Rate

Minimum at 0.1 bar (l/hour)	400
-----------------------------	-----



We take pride in being **Your Trusted Engineering Partner.**
Find out more about us at www.georgekent.net