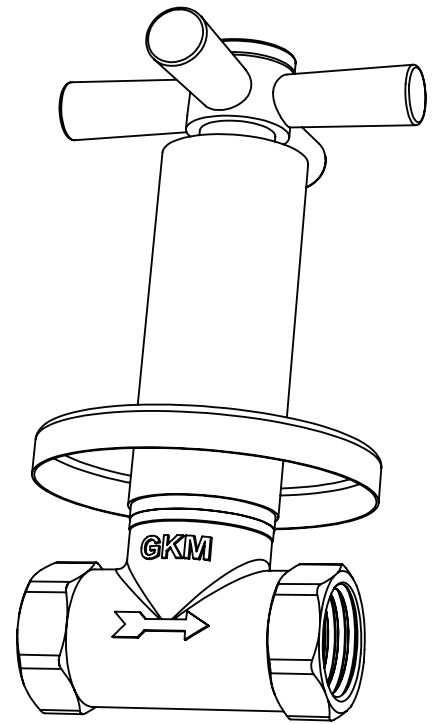


GKM CONCEAL STOPCOCK WITH CHROME PLATED X-HANDLE



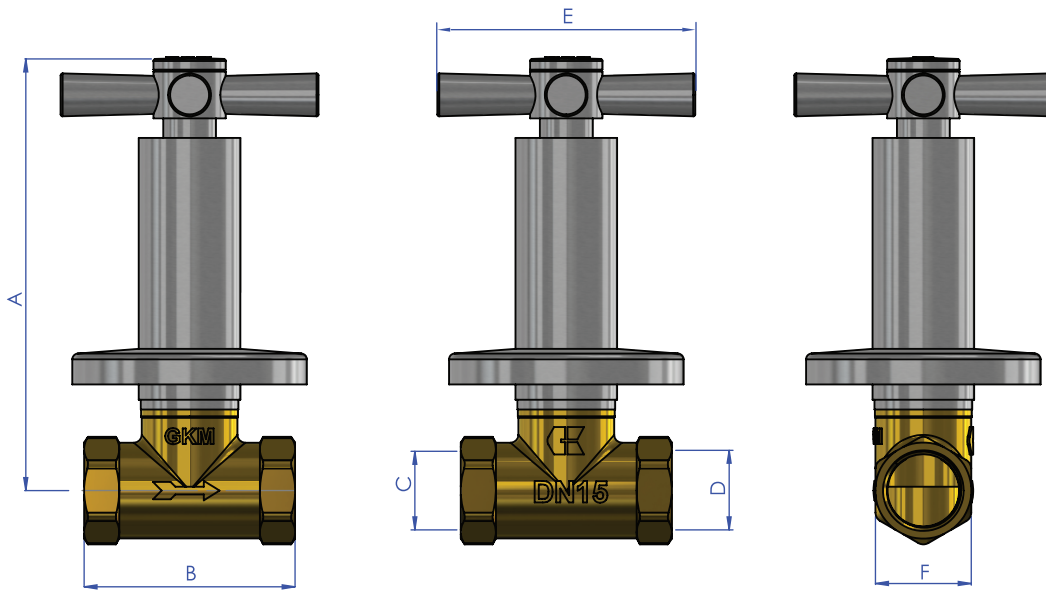
Technical Specification:

Nominal Pressure	PN16
Working Temperature, °C	≤ 50
Application Medium	Potable Water

Dimension

	DN15 (½ inch)	DN20 (¾ inch)	DN25 (1 inch)
A	108.5	112.5	118
B	57.5	70.5	75.5
C	G 1/2	G 3/4	G 1
D	G 1/2	G 3/4	G 1
E	66.6	66.6	66.6
F	24.5	30	39

* All dimensions are in "mm" unless otherwise stated



We take pride in being **Your Trusted Engineering Partner.**
Find out more about us at www.georgekent.net