

Technical Specification:

Specification

Nominal Pressure

PN16

Working Temperature, °C

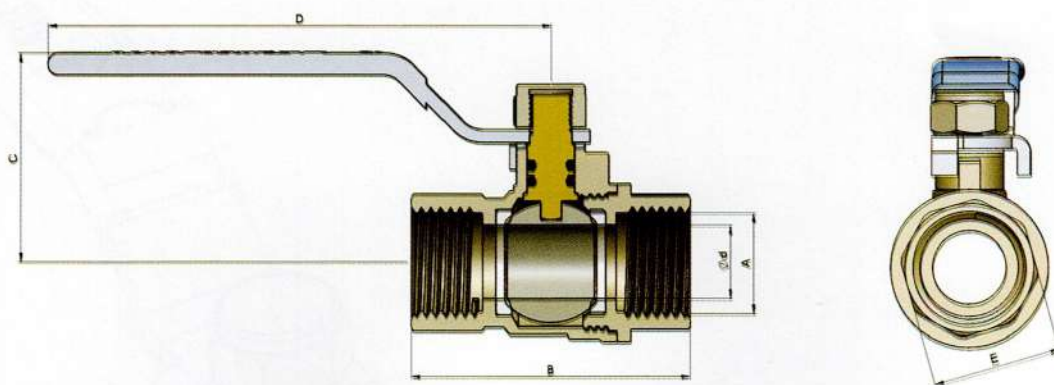
≤ 50

Application Medium

Potable Water

Dimension

Size	A	B	C	D	E	Ød
DN8 (¼ inch)	G ¼	43.5	39.5	82.0	18.0	10.0
DN10 (⅜ inch)	G ⅜	43.9	39.5	82.0	20.0	10.0
DN15 (½ inch)	G ½	53.0	41.1	98.0	25.0	14.0
DN20 (¾ inch)	G ¾	63.0	44.5	98.0	31.0	19.0
DN25 (1 inch)	G 1	72.0	55.0	110	38.0	23.5
DN32 (1¼ inch)	G 1¼	80.0	61.0	140	46.5	30.0
DN40 (1½ inch)	G 1½	90.5	66.0	140	53.0	37.0
DN50 (2 inch)	G 2	106	74.0	155.0	65.0	46.5
DN65 (2½ inch)	G 2½	132.4	92.0	190.0	82.0	56.0
DN80 (3inch)	G 3	151.0	106.0	230.0	95.0	68.5
DN100 (4inch)	G 4	190.5	117.5	230.0	122.0	85.0



* All dimensions are in "mm" unless otherwise stated