

ISOLATING VALVES DOUBLE ECCENTRIC FLANGED BUTTERFLY VALVE HANDWHEEL WITH WORM GEAR OPERATED



Brief

- ▶ High Performance Double Offset Eccentric Type Butterfly Valve Is Used To Start, Stop & Regulate Fluid Movement
- ▶ For Precise Operation & Longevity With Less Friction Experienced During Valve Operating
- ▶ Working Pressure : 10/16 Bar
- ▶ Disc Strength : 15/24 Bar
- ▶ Seat Test Pressure : 11/17.6 Bar
- ▶ Coating : Fusion Bonded Epoxy
- ▶ Sealing : EPDM

Standards

- ▶ Design : BS EN 593
- ▶ Flange : BS EN 1092-2
- ▶ Top Flange : ISO 5211

Features

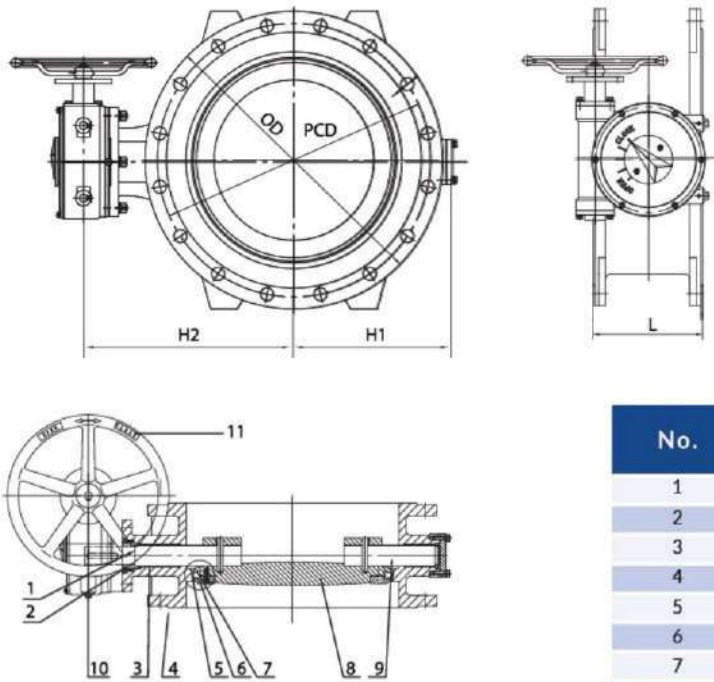
- ▶ Range Of Valve Sizes : DN 50 To DN 2400
- ▶ Standard Valve Actuator : Handwheel With Worm Gear (≤ DN 100 Lever Type)
- ▶ High Service Life Due To Low Wear And Tear On Rubber Sealing
- ▶ Excellent Performance Of Flow Regulating At Delivery Main For Pumping Station.



Double Eccentric
Flanged Butterfly Valve
To BS EN 593

Double Eccentric Flanged Butterfly Valve

Technical Table



Assembly Chart

No.	Component	Material	Standard Ref.
1	Upper Shaft	Stainless Steel	BS EN 10088-3
2	Gland	Ductile Iron	BS EN 1563
3	Bush	Bronze	BS 1400
4	Body	Ductile Iron	BS EN 1563
5	Body Seat	Stainless Steel	BS EN 10088-3
6	Seat Retainer	Stainless Steel	BS EN 10088-3
7	Disc Seat	EPDM	BS EN 681
8	Disc	Ductile Iron	BS EN 1563
9	Lower Shaft	Stainless Steel	BS EN 10088-3
10	Gear Case	Ductile Iron	BS EN 1563
11	Handwheel	Ductile Iron	BS EN 1563

Specifications & Parameters Chart

DN (mm)	L (mm)	OD (mm)	PCD (mm)	H1 (mm)	H2 (mm)	Bolts
50	108	165	125	83	140	M16x4
80	114	200	160	100	160	M16x8
100	127	220	180	120	175	M16x8
150	140	285	240	160	240	M20x8
200	152	340	295	185	265	M20x12
250	165	400	355	215	295	M24x12
300	178	455	410	240	325	M24x12
350	190	520	470	270	360	M24x16
400	216	580	525	300	405	M27x16
450	222	640	585	340	465	M27x20
500	229	715	650	380	505	M30x20
600	267	840	770	450	590	M33x20
700	292	910	840	510	710	M33x24
800	318	1025	950	570	790	M36x24
900	330	1125	1050	620	830	M36x28
1000	410	1255	1170	710	910	M39x28
1200	470	1485	1390	840	1095	M45x32
1400	530	1685	1590	970	1155	M45x36
1600	600	1930	1820	1075	1400	M52x40
1800	670	2130	2020	1260	1700	M52x44
2000	760	2345	2230	1410	1850	M56x48
2200	800	2555	2440	1530	1980	M56x52
2400	850	2765	2650	1670	2100	M56x56

Note: Technical data provided in this brochure is indicative only and may be subject to change without prior notice