

Description & Features

- Field liquid fillable, phenolic solid front blow-out back safety case
- Stainless steel full rotary movement for longer life
- Micrometer pointer for ease in calibration
- Under & Overload stops
- 316L stainless steel, Monel wetted parts
- Designed for sour gas applications requiring NACE Standards MR 0175-2002

Applications

- Used where operator safety is a must
- Ideally suited for process, chemical and petroleum industries
- Highly corrosive media

Specifications

Dial Size

4.5"(115mm) white aluminum

Pressure Range

Vacuum to 0...20000 psi (0...1380 bar)

Case

Engineered reinforced thermoplastic, black impact resistant with safety blowout back plate, solid front, integral back flange

Solid Wall

Phenolic

Lens

Tempered glass

Ring Material

Phenolic

Pointer

Aluminum black adjustable

Bourdon Tube

316L stainless steel

Movement

304 stainless steel

Socket Material

316L stainless steel

Connection

1/4", 1/2" in NPT, BSP, BSPT

Gasket Materials

Buna N (Silicone rubber option)



Welding

TIG

Protection

IP 65

Working Pressure

Maximum 75% of full scale value

Over-pressure Limit

25% for pressures up to 1500 psi/kPa,
15% for pressures 1501 to 8700 psi/kPa,
10% for pressures above 8701 psi/kPa

Ambient Temperature

-40°F to 200°F (-40°C to 93°C) dry /
-4°F to 150°F (-20°C to 65°C) glycerin-filled

Process Temperature

-40°F to 200°F (-40°C to 93°C) dry /
-4°F to 150°F (-20°C to 65°C) glycerin-filled

Accuracy

±0.5% ANSI / ASME Grade 2A

Options

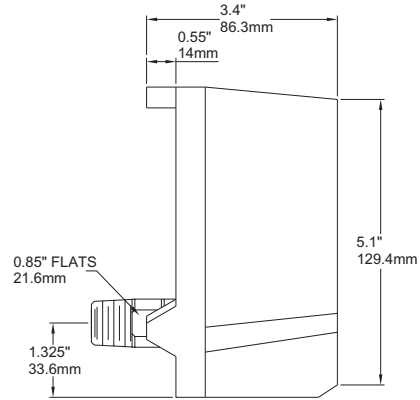
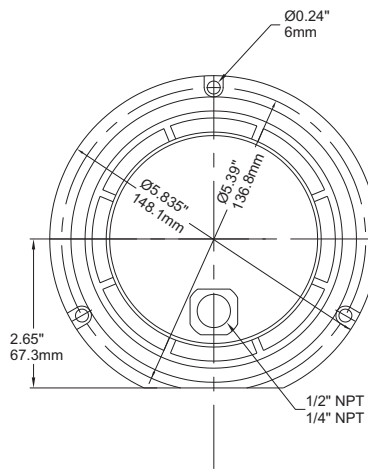
Silicone filled
Use no oil
Oxygen Cleaning
Stainless steel tag number plate
Calibration Certificate
Material Certificate
Safety glass + Silicone filled

Order Information

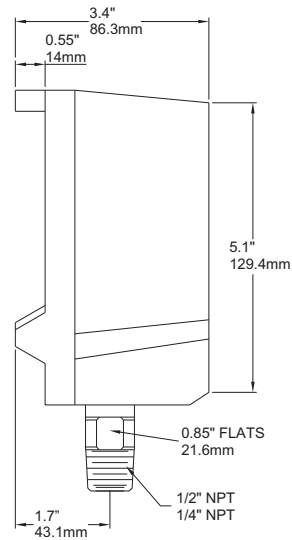
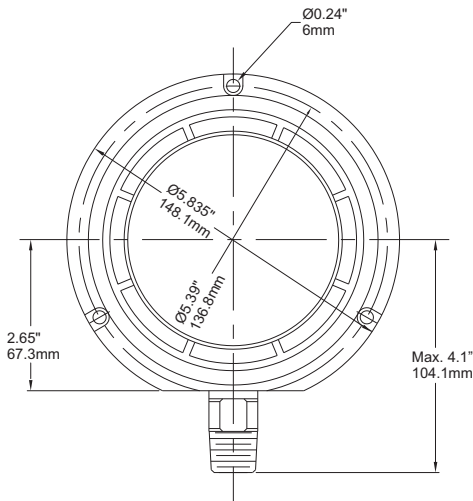
Series/ Dial Size/ Case Materials/ Wetted Parts/ Configuration/ Connection Size/ Thread/ Range/ Option

Dimensions

4.5" Back Connection



4.5" Bottom Connection



Ordering Code PPC Series

Field No.	Code	Specifications																																								
1.	PPC	Series																																								
2.	45	Dial Size 4.5" (115mm)																																								
3.	F	Case Materials Phenolic																																								
4.	S L M Z	Wetted Parts 316 SS 316L SS Monel Special																																								
5.	A D Z	Configuration Bottom connection, stem mounting Back connection, stem mounting Special																																								
6.	4 2 Z	Connection 1/4" 1/2" Special																																								
7.	N B T M Z	Thread NPT BSP (G) BSPT (R) M20X1.5 Special																																								
8.		Range (XXXX)																																								
		Standard Ranges																																								
	MPa	<table border="1"> <tr> <td>-0.1/0</td> <td>-0.1/0.9</td> <td>0/0.1</td> <td>0/1</td> <td>0/10</td> <td>0/100</td> <td></td> <td></td> </tr> <tr> <td>-0.1/0.06</td> <td>-0.1/1.5</td> <td>0/0.16</td> <td>0/1.6</td> <td>0/16</td> <td>0/160</td> <td></td> <td></td> </tr> <tr> <td>-0.1/0.15</td> <td>-0.1/2.4</td> <td>0/0.25</td> <td>0/2.5</td> <td>0/25</td> <td></td> <td></td> <td></td> </tr> <tr> <td>-0.1/0.3</td> <td></td> <td>0/0.4</td> <td>0/4</td> <td>0/40</td> <td></td> <td></td> <td></td> </tr> <tr> <td>-0.1/0.5</td> <td></td> <td>0/0.6</td> <td>0/6</td> <td>0/60</td> <td></td> <td></td> <td></td> </tr> </table>	-0.1/0	-0.1/0.9	0/0.1	0/1	0/10	0/100			-0.1/0.06	-0.1/1.5	0/0.16	0/1.6	0/16	0/160			-0.1/0.15	-0.1/2.4	0/0.25	0/2.5	0/25				-0.1/0.3		0/0.4	0/4	0/40				-0.1/0.5		0/0.6	0/6	0/60			
-0.1/0	-0.1/0.9	0/0.1	0/1	0/10	0/100																																					
-0.1/0.06	-0.1/1.5	0/0.16	0/1.6	0/16	0/160																																					
-0.1/0.15	-0.1/2.4	0/0.25	0/2.5	0/25																																						
-0.1/0.3		0/0.4	0/4	0/40																																						
-0.1/0.5		0/0.6	0/6	0/60																																						
	bar	<table border="1"> <tr> <td>-1/0</td> <td>-1/9</td> <td></td> <td></td> <td>0/1</td> <td>0/10</td> <td>0/100</td> <td>0/1000</td> </tr> <tr> <td>-1/0.6</td> <td>-1/15</td> <td></td> <td></td> <td>0/1.6</td> <td>0/16</td> <td>0/160</td> <td>0/1600</td> </tr> <tr> <td>-1/1.5</td> <td>-1/24</td> <td></td> <td></td> <td>0/2.5</td> <td>0/25</td> <td>0/250</td> <td></td> </tr> <tr> <td>-1/3</td> <td></td> <td></td> <td></td> <td>0/4</td> <td>0/40</td> <td>0/400</td> <td></td> </tr> <tr> <td>-1/5</td> <td></td> <td></td> <td></td> <td>0/6</td> <td>0/60</td> <td>0/600</td> <td></td> </tr> </table>	-1/0	-1/9			0/1	0/10	0/100	0/1000	-1/0.6	-1/15			0/1.6	0/16	0/160	0/1600	-1/1.5	-1/24			0/2.5	0/25	0/250		-1/3				0/4	0/40	0/400		-1/5				0/6	0/60	0/600	
-1/0	-1/9			0/1	0/10	0/100	0/1000																																			
-1/0.6	-1/15			0/1.6	0/16	0/160	0/1600																																			
-1/1.5	-1/24			0/2.5	0/25	0/250																																				
-1/3				0/4	0/40	0/400																																				
-1/5				0/6	0/60	0/600																																				
	psi	<table border="1"> <tr> <td>30"/0</td> <td>30"/0/150</td> <td>0/15</td> <td>0/160</td> <td>0/800</td> <td>0/3000</td> <td>0/10000</td> <td></td> </tr> <tr> <td>30"/0/15</td> <td>30"/0/300</td> <td>0/30</td> <td>0/200</td> <td>0/1000</td> <td>0/4000</td> <td>0/15000</td> <td></td> </tr> <tr> <td>30"/0/30</td> <td></td> <td>0/60</td> <td>0/300</td> <td>0/1500</td> <td>0/5000</td> <td>0/20000</td> <td></td> </tr> <tr> <td>30"/0/60</td> <td></td> <td>0/100</td> <td>0/600</td> <td>0/2000</td> <td>0/6000</td> <td></td> <td></td> </tr> <tr> <td>30"/0/100</td> <td></td> <td></td> <td></td> <td></td> <td></td> <td></td> <td></td> </tr> </table>	30"/0	30"/0/150	0/15	0/160	0/800	0/3000	0/10000		30"/0/15	30"/0/300	0/30	0/200	0/1000	0/4000	0/15000		30"/0/30		0/60	0/300	0/1500	0/5000	0/20000		30"/0/60		0/100	0/600	0/2000	0/6000			30"/0/100							
30"/0	30"/0/150	0/15	0/160	0/800	0/3000	0/10000																																				
30"/0/15	30"/0/300	0/30	0/200	0/1000	0/4000	0/15000																																				
30"/0/30		0/60	0/300	0/1500	0/5000	0/20000																																				
30"/0/60		0/100	0/600	0/2000	0/6000																																					
30"/0/100																																										
	kg/cm²	<table border="1"> <tr> <td>-1/0</td> <td>-1/9</td> <td>0/1</td> <td>0/10</td> <td>0/100</td> <td></td> <td></td> </tr> <tr> <td>-1/0.6</td> <td>-1/15</td> <td>0/1.6</td> <td>0/16</td> <td>0/160</td> <td></td> <td></td> </tr> <tr> <td>-1/1.5</td> <td>-1/24</td> <td>0/2.5</td> <td>0/25</td> <td>0/250</td> <td></td> <td></td> </tr> <tr> <td>-1/3</td> <td></td> <td>0/4</td> <td>0/40</td> <td>0/400</td> <td></td> <td></td> </tr> <tr> <td>-1/5</td> <td></td> <td>0/6</td> <td>0/60</td> <td>0/600</td> <td></td> <td></td> </tr> </table>	-1/0	-1/9	0/1	0/10	0/100			-1/0.6	-1/15	0/1.6	0/16	0/160			-1/1.5	-1/24	0/2.5	0/25	0/250			-1/3		0/4	0/40	0/400			-1/5		0/6	0/60	0/600							
-1/0	-1/9	0/1	0/10	0/100																																						
-1/0.6	-1/15	0/1.6	0/16	0/160																																						
-1/1.5	-1/24	0/2.5	0/25	0/250																																						
-1/3		0/4	0/40	0/400																																						
-1/5		0/6	0/60	0/600																																						
	kPa	<table border="1"> <tr> <td>-100/0</td> <td>-100/900</td> <td></td> <td></td> <td>0/100</td> <td>0/1000</td> <td></td> </tr> <tr> <td>-100/60</td> <td>-100/1500</td> <td></td> <td></td> <td>0/160</td> <td>0/1600</td> <td></td> </tr> <tr> <td>-100/150</td> <td>-100/2400</td> <td></td> <td></td> <td>0/250</td> <td>0/2500</td> <td></td> </tr> <tr> <td>-100/300</td> <td></td> <td></td> <td></td> <td>0/400</td> <td>0/4000</td> <td></td> </tr> <tr> <td>-100/500</td> <td></td> <td></td> <td></td> <td>0/600</td> <td>0/6000</td> <td></td> </tr> </table>	-100/0	-100/900			0/100	0/1000		-100/60	-100/1500			0/160	0/1600		-100/150	-100/2400			0/250	0/2500		-100/300				0/400	0/4000		-100/500				0/600	0/6000						
-100/0	-100/900			0/100	0/1000																																					
-100/60	-100/1500			0/160	0/1600																																					
-100/150	-100/2400			0/250	0/2500																																					
-100/300				0/400	0/4000																																					
-100/500				0/600	0/6000																																					
9.	SD SY SL SM SO GH DL	Options Silicone filled Use no oil Oxygen Cleaning Stainless steel tag number plate Calibration Certificate Material Certificate Safety glass + Silicone filled																																								