

Description & Features

- Available in 4.5" (110mm) or 6" (150mm) scales
- Offers ruggedness and durability in harsh industrial environments
- Brass socket 1/2" NPT is standard (stainless steel optional)
- Available in either a straight model (bottom connection) or 90° angle model (back connection)

Applications

- Heating, plumbing, air conditioning and ventilation applications

Specifications

Body

4.5"(110mm), 6"(150mm)aluminum, anodized gold

Scale

Aluminum, Black markings

Tube

Class cushioned

Liquid Filling

Organic liquid (red)

Stem

Brass, standard (Stainless steel option)

Connection

1/2" NPT, (1/2" BSP optional)



Swivel Nut

Brass, standard
(stainless steel optional; swivel and stem one unit)

Ambient Temperature

-40°F-400°F (-40°C-200°C)

Accuracy

±2.0% of full scale

Operating Temperature

Maximum 80% of full scale value recommended

Protection

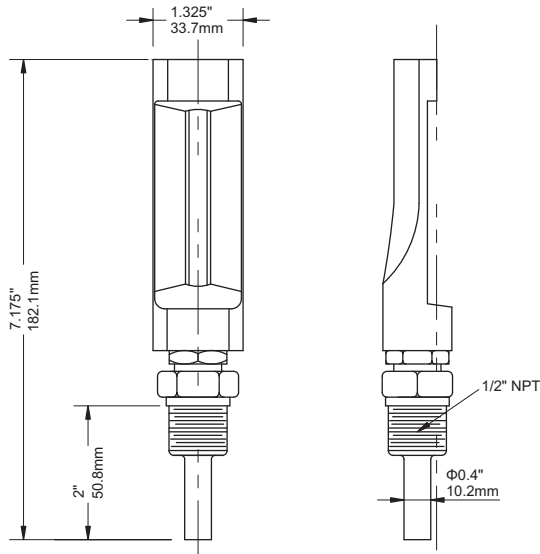
IP 65

Option

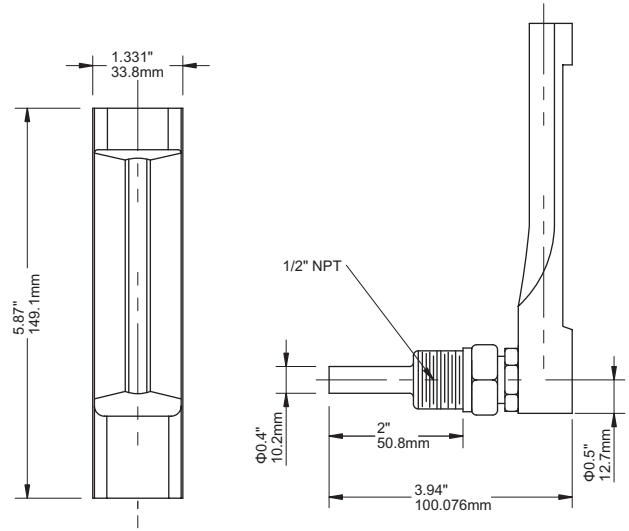
304 stainless steel thermowell

Dimensions

4.5" Straight



6" Angled



Ordering Code TAG Series

Field No.	Code	Specifications
1.	TAG	Series
		Scale Size
2.	45	4.5" (115mm)
	60	6" (150mm)
		Configuration
3.	H	Angle
	A	Straight
		Stem Length
4.	0020	2"
	0025	2.5"
	0030	3"
	0040	4"
	0060	6"
	0080	8"
	0100	10"
		Stem Material
5.	B	Brass, standard
	T	304 stainless steel
	S	316 stainless steel
	L	316L stainless steel
		Process Connection Size
6.	2	1/2"
	Z	Special request
		Process Connection Thread
7.	N	NPT
	G	G
	P	BSPP
		Range F & C (Dual)
8.	B01	-40/110 °F (-40/40 °C)
	B02	20/180 °F (-5/80 °C)
	B03	30/240 °F (0/115 °C)
	B04	30/300 °F (0/150 °C)
	B05	50/400 °F (10/200 °C)