

N20, N34 SERIES

NON-SPRING RETURN DAMPER ACTUATOR

20/34 Nm (177/300 lb-in) FOR MODULATING CONTROL

PRODUCT DATA



GENERAL

These direct-coupled damper actuators provide modulating control for:

- Air dampers
- VAV units
- Air handlers
- Ventilation flaps
- Louvers, and
- Reliable control for air damper applications with up to 4.6m² / 50 sq.ft. (20 Nm / 177 lb-in) or 7.8m² / 85 sq. ft. (34 Nm / 300 lb-in)(seal- less damper blades; air friction-dependent)

FEATURES

- **New self-centering shaft adapter**
- **Access cover to facilitate connectivity**
- **Declutch for manual adjustment**
- **Mechanical end limits (CN7220 only)**
- **Field-installable auxiliary switches**
- **Rotation direction selectable by switch**
- **Mountable in any orientation (no IP54 if upside down)**
- **Mechanical position indicator**

SPECIFICATIONS

Supply voltage	24 Vac \pm 20%, 50/60 Hz; 24 Vdc -10...+20%
Nominal voltage	24 Vac, 50/60 Hz; 24 Vdc
<i>All values stated hereinafter apply to operation under nominal voltage conditions.</i>	
Power consumption	
CN7220	6 VA / 6 W
CN7234	8 VA / 6 W
Ambient limits	
Ambient operating limits	-20...+60 °C (-5...+140 °F)
Ambient storage limits	-40...+80 °C (-40...+175 °F)
Relative humidity	5...95%, non-condensing
Safety	
Protection standard	IP54 as per EN 60529
Protection class	II as per EN 60730-1
Overvoltage category	II
Lifetime	
Full strokes	60000
Repositions	1.5 million
Mounting	
Round damper shaft	10...27 mm (3/8...1-1/16")
Square damper shaft	10...18 mm (3/8...11/16")
	45° steps
Shaft length	min. 22 mm (7/8")
Control signal	
	0(2)...10 Vdc
	0(4)...20 mA
Input impedance	100 k Ω [0...10 V] 500 Ω m [0...20 mA]
Feedback signal	
Limits	\pm 1 mA at 0...10 V
Torque rating	
CN7220	20 Nm (177 lb-in)
CN7234	34 Nm (300 lb-in)
Runtime	95 sec (60 Hz) / 110 sec (50 Hz)
Rotation stroke	95° \pm 3°
Dimensions	see "Dimensions" on page 6
Weight	1.35 kg (3 lbs.)
Noise rating	40 dB(A) max. at 1 m

MODELS

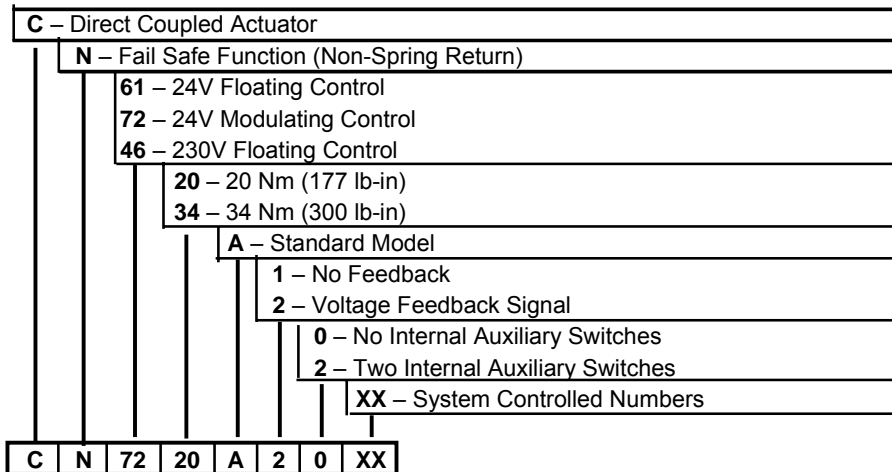


Fig. 1. Product Identification System

Model #	Description
CN7220A2007	20Nm,24Vac/Vdc, Modulating control, Non-Spring return, Voltage Feedback Signal and without aux. Switch
CN7234A2008	34Nm,24Vac/Vdc, Modulating control, Non-Spring return, Voltage Feedback Signal and without aux. Switch

OPERATION/FUNCTIONS

Legend for Fig. 2:

1. Self-centering shaft adapter
2. Retainer clip
3. Rotational angle scales (0...90° / 90...0°)
4. Mechanical end limits (20 Nm [177 lb-in] models, only)
5. Declutch button
6. Anti-rotation bracket
7. Rotation direction switch
8. Access cover

Contents of Package

The delivery package includes the actuator itself, parts 1 through 8 (see Fig.2), the anti-rotation bracket screws, and the SM mounting plate and screws.

Modulating Control

The actuator is capable of being operated by several controllers providing Vdc or mA output.

Rotary Movement

The control signal and the corresponding rotation direction (clockwise or counterclockwise) can be selected using the rotation direction switch (see part 7 in Fig. 2), thus eliminating the need to re-wire. To ensure tight closing of the dampers, the actuator has a total rotation stroke of 95°.

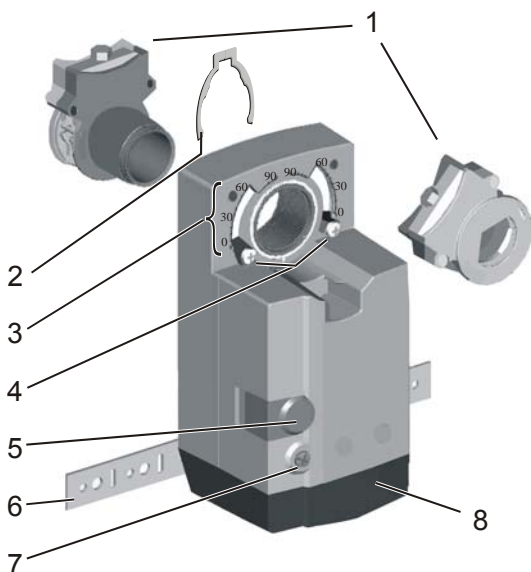


Fig. 2. Setting units and control elements

As soon as operating power is applied, the actuator may start to run. When power is removed, the actuator remains in position. For actuator-controller wiring instructions, see section "Wiring" on page 5.

ORDERING INFORMATION

When purchasing replacement and modernization products from your TRADELINE® wholesaler or distributor, refer to the TRADELINE® Catalog or price sheets for complete ordering number.

If you have additional questions, need further information, or would like to comment on our products or services, please write or phone your local Honeywell Automation and Control Products Sales Office or Honeywell Customer Care.

Rotation Direction Switch

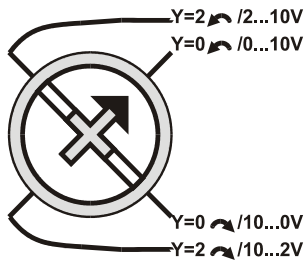


Fig. 3. Rotation Direction Switch

rotation direction switch position	feedback/control signal when actuator is	
	totally	totally
Y=2 / 2...10V	U = 2 V	U = 10 V
Y=0 / 0...10V*	U = 0 V	U = 10 V
Y=0 / 10...0V	U = 10 V	U = 0 V
Y=2 / 10...2V	U = 10 V	U = 2 V

* Default shipping position.

Table 1. Feedback/control signal values

Feedback Signal and Manual Adjustment

If, while the actuator is not rotating, the user declutches it and manually repositions the shaft adapter, the feedback signal will then follow the new position at which the shaft adapter has been left.

Power Off/On Behavior

In case the power to the actuator fails, after re-applying power, the actuator acknowledges its present position and follows the signal from the controller. This makes it unnecessary for the actuator to employ autoadaptation in order to re-map the control signal settings.

Dip Switches

The actuators are equipped with two dip switches accessible after removing the access cover (see Fig. 4).

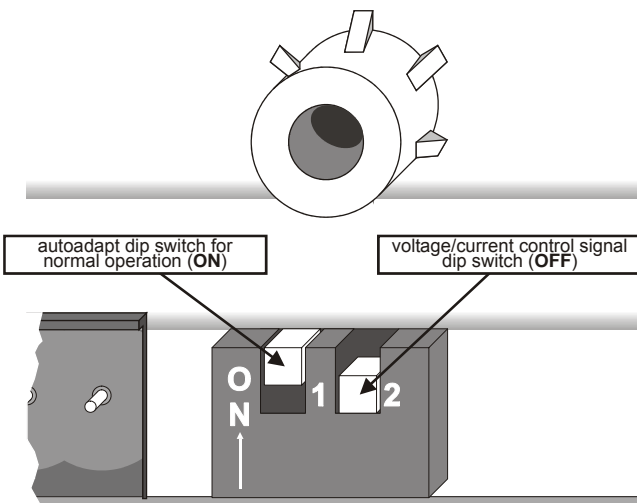


Fig. 4. Dip switches (view with PCB at bottom)

Autoadapt Dip Switch for Normal Operation

In its default shipping position, the autoadapt dip switch for normal operation is set to **ON** as shown in Fig. 4. Dip switches (view with PCB at bottom)4. If it is set to OFF, no autoadapting is performed, and the control signal map remains constant.

The autoadapt functionality does not have to be triggered. Rather, the SmartAct actuator does this automatically when the min. and max. control signals are provided (see Fig. 5); the feedback signal is likewise autoadapted.

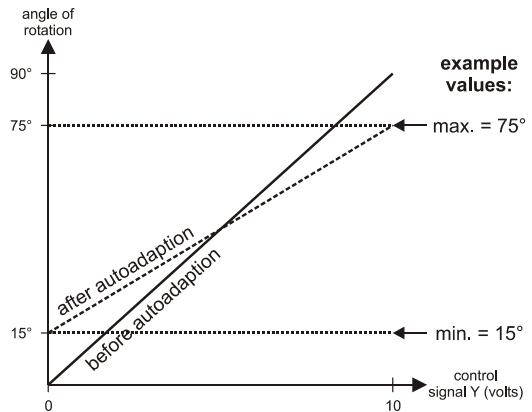


Fig. 5. Actuator positioning curve

Adjusting the Actuator for Autoadapt

In order to make use of the autoadapt functionality, proceed as follows:

1. Set the autoadapt dip switch to the ON position.
2. If necessary, limit the stroke to the desired range using the mechanical end limits.
3. Drive the actuator to the left end limit (totally counterclockwise) by setting the control signal as specified in Table 1.
4. Drive the actuator to the right end limit (totally clockwise) by setting the control signal as specified in Table 1. The stroke has now been limited to 0...100% of the control signal range.

Voltage/Current Control Signal Selection Dip Switch

In its default shipping position, the voltage/current control signal dip switch (see Fig. 4) is set to **OFF** (= voltage control) as shown in Fig. 4. Setting it to **ON** results in current control.

Position Indication

The hub adapter indicates the rotation angle position by means of the rotational angle scales (0...90° / 90...0°).

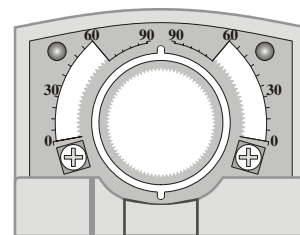


Fig. 6. Position indication

Manual Adjustment

IMPORTANT

In order to prevent equipment damage, you must remove power before manual adjustment.

After removing power, the gear train can be disengaged using the declutch button, permitting the actuator shaft to be manually rotated to any position. The feedback signal will then follow the new position.

Limitation of Rotation Stroke

Two mechanical end limits (adjustable in 3° increments) are provided (20 Nm [177 lb-in] models, only) to limit the angle of rotation as desired (see Fig. 7).

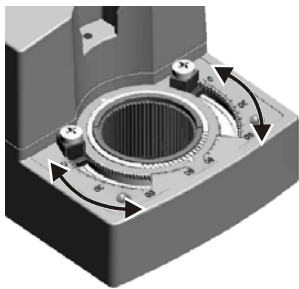


Fig. 7. Mechanical end limits

The mechanical end limits must be securely fastened in place as shown in Fig. 8. Specifically, it is important that they properly mesh with the rotational angle scales when the screws are tightened.

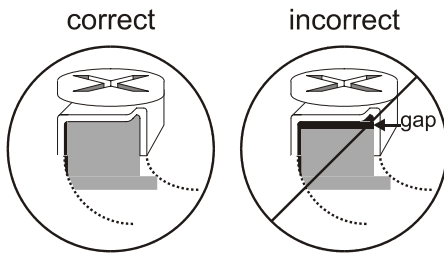


Fig. 8. Correct / incorrect tightening of end limits

Override

If terminal 3 of the terminal strip (see section "Wiring Diagrams" on page 5) is unplugged, the stroke will be 0%; reversing the rotation direction using the rotation direction switch will result in a max. stroke of 100%. If terminal 3 is jumped with terminal 1 (24 V), the stroke will be 50%.

INSTALLATION

These actuators are designed for single-point mounting.

IMPORTANT

In order to prevent equipment damage, you must remove power or set the rotation direction switch to the "Service/Off" position before manual operation.

Mounting Instructions

All information and steps are included in the Installation Instructions supplied with the actuator.

Mounting Position

The actuators can be mounted in any position (no IP54 or NEMA2 if mounted upside down; see Fig. 9). Choose an orientation permitting easy access to the actuator's cables and controls.

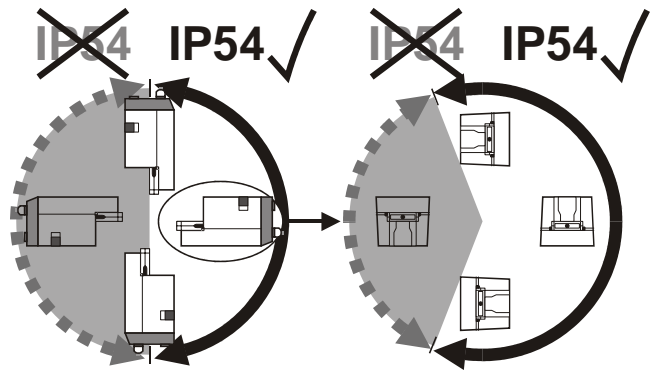


Fig. 9. Mounting for IP54

Mounting Bracket and Screws

If the actuator is to be mounted directly on a damper shaft, use the mounting bracket and screws included in the delivery package.

Self-Centering Shaft Adapter

The self-centering shaft adapter can be used for shafts having various diameters (10...27 mm [3/8...1-1/16"]) and shapes (square or round)

In the case of short shafts, the shaft adapter may be reversed and mounted on the duct side.

Stroke Limitation with Mechanical End Limits

The mechanical end limits (20 Nm [177 lb-in] models, only) enable the stroke to be limited from 0...90° in increments of 3°.

Wiring

Access cover

To facilitate wiring the actuator to the controller, the access cover can be detached from the actuator.

IMPORTANT

Remove power before detaching the access cover. Once the access cover has been removed, please take care to avoid damaging any of the parts now accessible.

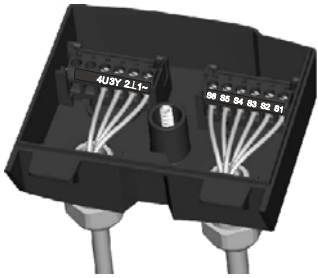


Fig.10. Access cover

Depending upon the model, the access cover may have one or two terminal strips, including a layout with a description for each of the terminals.

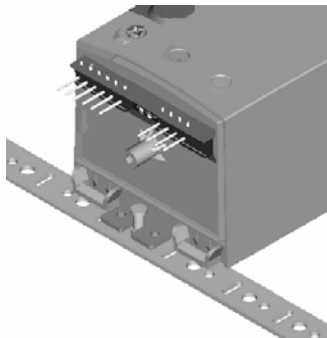
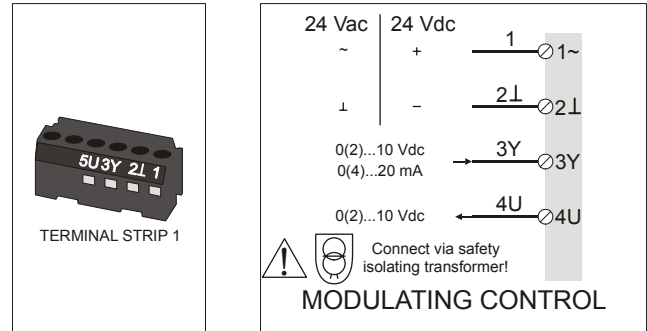


Fig. 11. Actuator with access cover removed

Wiring Diagrams

CN7220/CN7234



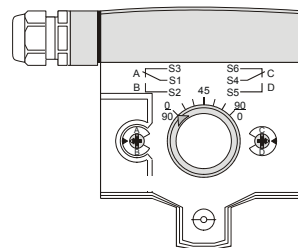
Connecting cable	terminal	name
supply and signal lines	1~	24 Vac ~ / 24 Vdc+
	2⊥	24 Vac ⊥ / 24 Vdc-
	3Y	0(2)...10 Vdc / 0(4)...20 mA control signal
	5U	0(2)...10 V feedback signal

Optional Accessories

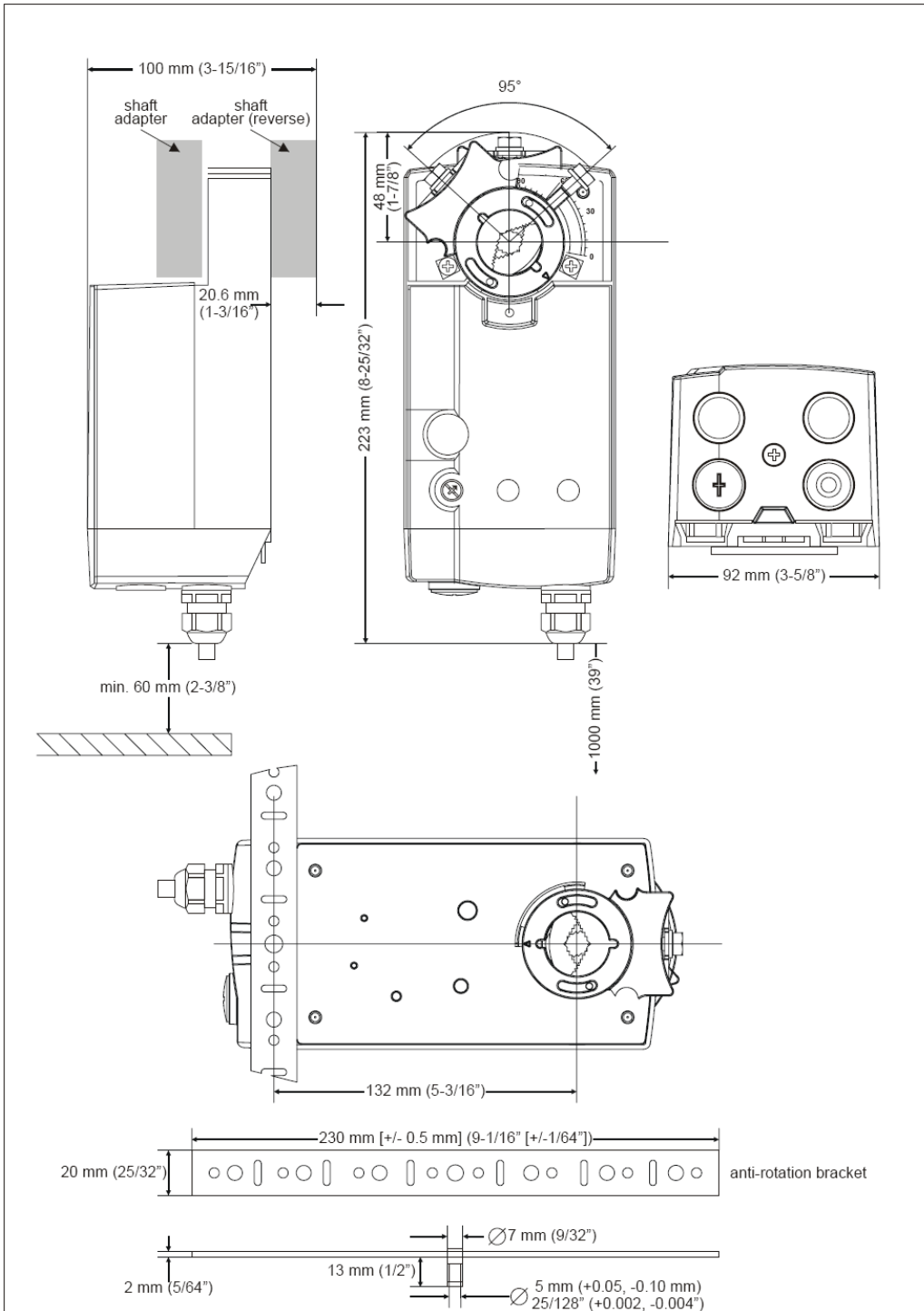
The following optional accessories can be ordered separately.

Auxiliary Switch Kit

Order no.: SW2



Dimensions



Automation and Control Solutions
 Honeywell International Inc.
 1985 Douglas Drive North
 Golden Valley, MN 55422

Honeywell (Tianjin) Limited
 66, BaiHe Road, TEDA
 Tianjin, 300457, P.R.C.

Honeywell



Printed in China, on recycled paper containing at least 10% post-consumer paper fibers.