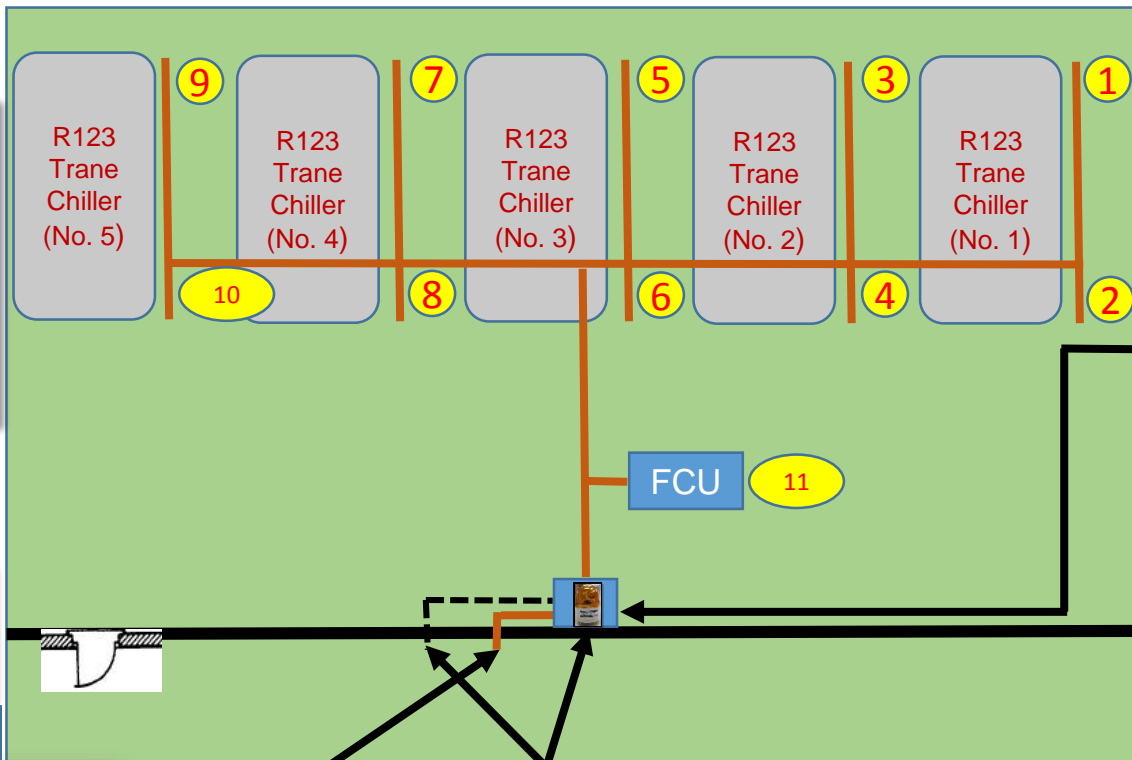


Hewlett-Packard Malaysia Manufacturing Sdn Bhd

Bacharach Gas Monitor (HGM-MZ-12-Zone) Installation Layout With Product Identification



Sampling Point (Leak Detection Point)



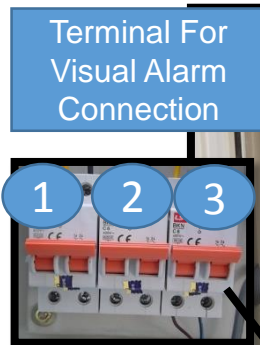
Charcoal Filter



Exhaust Line



Strobe & Buzzer Light



Terminal For Visual Alarm Connection



Bacharach Gas Monitor HGM-MZ-12-Zone (S/No : 15120434)

Bacharach Gas Monitor HGM-MZ-12-Zone Incorporated With Panel



- 1) MCB (LS) – 16A (Main Incoming Supply) (230V/1Ph/50Hz)
- 2) MCB (LS) – 6A (For Gas Monitor)
- 3) MCB (LS) – 6A (Standby For Future)