

## UTP7524GE-PoE-A1



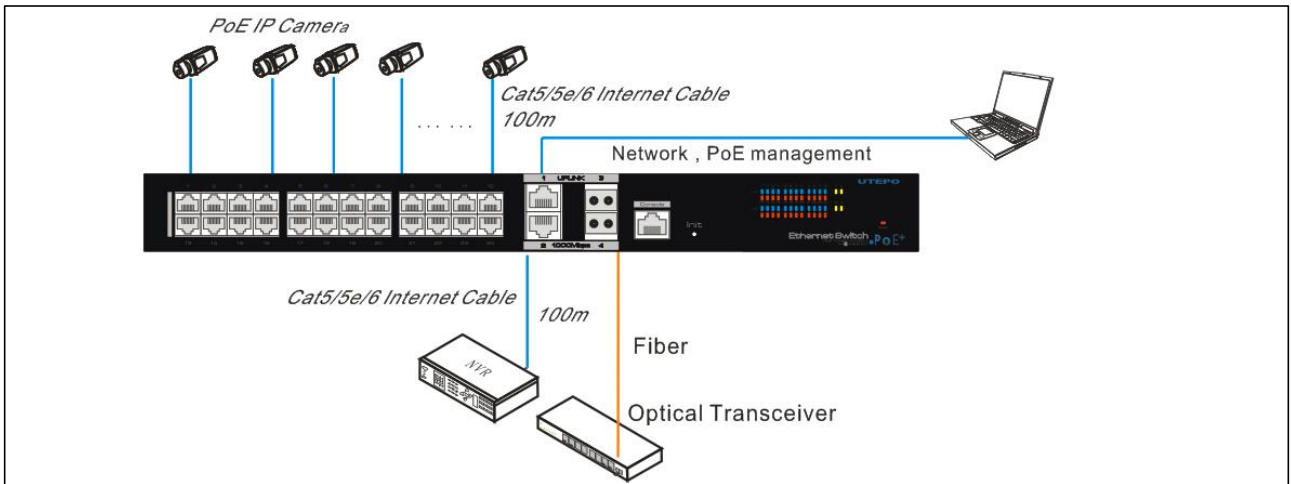
- provide 24\* PoE Gigabit downlink Ethernet ports , 2\* Gigabit uplink optical fiber ports and 2\* Gigabit uplink Ethernet ports;
- Provide web-based layer 2 network management and PoE management by simple operation;
- Support high-speed data forwarding, very suitable for large flow of video data forwarding in security surveillance ;
- Support recovery of IP address & user password by one key recovery button ;
- Quick Installation, simple operation, convenient for wall/desk/rack installation.



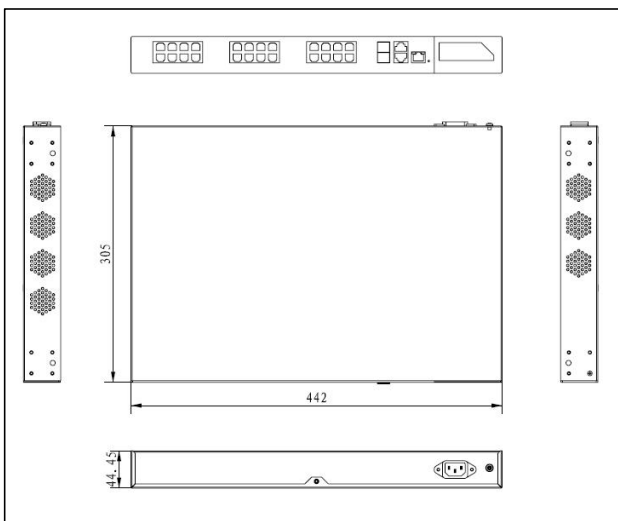
## Introduction

The 24 ports PoE full Gigabit managed Ethernet switch, which provide 24\* PoE Gigabit downlink Ethernet ports , 2\* Gigabit uplink optical fiber ports and 2\* Gigabit uplink Ethernet ports. The Products support IEEE 802.3 af/at ,support Web layer-2 network management and PoE management. Products are widely used in security surveillance, network engineering projects and so on.

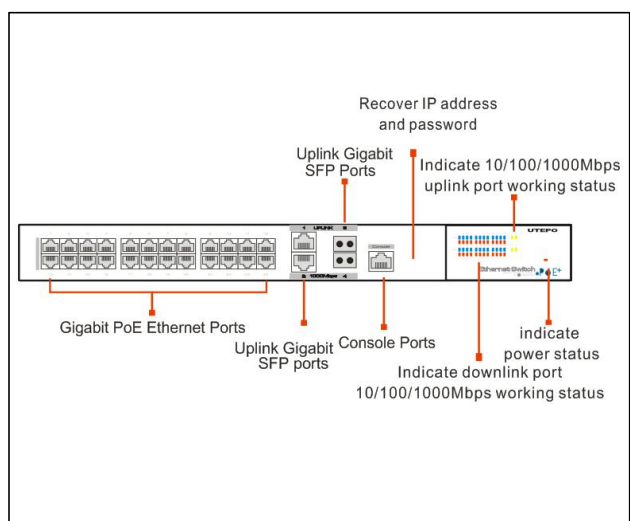
## Application



## Physical Features



## Interface drawing



**Specification**

Hardware Features :

型号	UTP7524GE-POE-A1
Downstream Ports	24* 10/100/1000Base-T (PoE)
Uplink Ports	2*1000Mbps SFP Port and 2*10/100/1000Base-T
Network Standard	IEEE802.3、IEEE802.3u、IEEE802.3ab、IEEE802.3Z、IEEE802.3X、IEEE 802.1Q IEEE 802.1p IEEE 802.3ad、IEEE 802.1D、IEEE 802.1X
Switch Capacity	56Gbps
Throughput	42Mpps
Switch Processing Scheme	Store and Forward
Memory Buffer	12M
MAC Table	16K
PoE Standard	802.3af/at(PSE)
PoE Type	End-span
Power Pin Assignment	1/2(+), 3/6(-)
PoE Power Output	54V DC , 30 watts max
PoE Budget	390 watts max
Lightning protection	6KV Execute : IEC61000-4-5
ESD	6KV Contact discharge 8KV Air discharge Execute : IEC61000-4-2
Power Supply	100~240V AC; 50/60Hz
Power Dissipation	<420W(Including PoE)
Work temperature	-10-50°C
Storage temperature	-40-85°C
Humidity(Non-condensin)	5%-95%
Dimension ( L×W×H )	442mm×305mm×44.5mm
Weight	4.35kg
Regulator	CE、FCC、ROHS

Software Features :

Port Management	Support port enabling and disabling
	Support port speed settings
	Support port full-duplex mode
	Support IEEE802.3x flow control
	Support port name modification
VLAN	Support of 4K VLAN
	supports 802.1Q VLAN protocol
	Support VLAN based on port

Quality of Service	Support QoS Congestion Management
	Support 8 priority queues
	Queue scheduling: SP, WRR, SP+WRR
	Support 802.1p CoS/DSCP priority
Multicast Management	Support SNMPV1 / V2 / V3 protocols
	Support IGMP Snooping
POE management	Support Total Power Control
	Support PoE On Off
	Support single-port 30W output , Output port and priority
Security Features	Supports IP, MAC, port, VLAN binding combinations
	Support MAC address auto-learning, aging and filtration
	Support port isolation, port speed limit
	Support RSTP
	Support 5 groups of link aggregation
	Support 802.1X
System Management	Web-based GUI and CLI management
	Support FTP / TFTP / HTTP load upgrade
	Support traffic statistics
	Support MAC address table query
	Support IP address, DNS server modifications
	Support user name and password modification
	Support for history, log management
	Support System Configuration Backup
	Support to recover the default factory settings on reboot

**Package List**

Designation	Quantity
UTP7524GE-POE-A1	1
AC Power Line	1
Mounting brackets	1
User Manual	1

**Related Products**

Designation	Model
16 Ports PoE Full Gigabit Managed Ethernet Switch	UTP7516GE-PoE-A1
24 Ports PoE Fast Managed Ethernet Switch	UTP7224E-PoE-L2
24 Ports PoE Fast Managed Ethernet Switch	UTP7216E-PoE-L2