

## DS-KIS602 Video Intercom Bundle



### Key Feature

#### Indoor Station

- UI V2.0: User friendly design
- 7-inch colorful touch screen with resolution 1024 × 600
- Standard PoE
- Stores messages and captured pictures in the TF card
- Remote unlocking via the client software or the mobile client
- Views live videos of door stations and linked cameras
- Supports wireless network

#### Door Station

- 2 MP HD video intercom function
- Access control function
- Noise suppression and echo cancellation
- H.264 video compression
- Low illumination
- Tampering alarm
- Fisheye camera with IR supplement light
- Supports sub-modules' access (max. 8)
- Nametag customization
- Easy to and extend



## Specifications

### Indoor Station

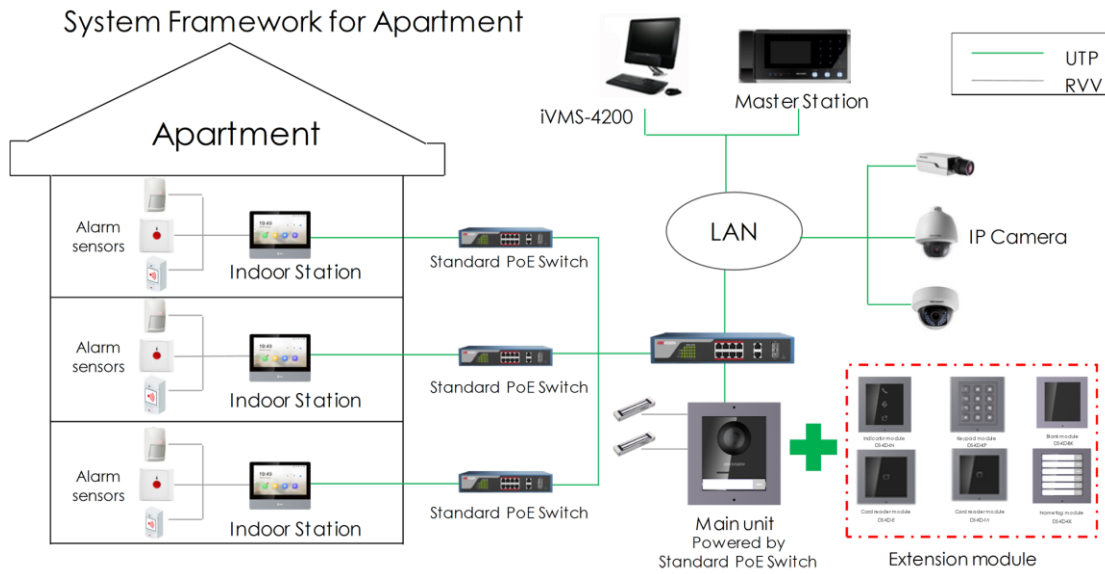
| Model                  |                            | DS-KH6320-WTE1                                 |
|------------------------|----------------------------|--|
| System                 | Memory                     | 128 MB   |
|                        | Flash                      | 32 MB  |
|                        | Operation system           | Embedded Linux operation system                |
| Display                | Display screen             | 7-inch colorful TFT LCD                        |
|                        | Display resolution         | 1024 × 600                                     |
|                        | Operation method           | Capacitive touch screen                        |
| Audio                  | Audio input                | Built-in omnidirectional microphone            |
|                        | Audio output               | Built-in loudspeaker                           |
|                        | Audio compression standard | G.711 U  |
|                        | Audio compression rate     | 64 Kbps  |
| Network                | Audio quality              | Noise suppression and echo cancellation        |
|                        | Wired network              | 10/100 Mbps self-adaptive network              |
|                        | Wireless network           | Wi-Fi 802.11b/g/n                              |
|                        | Network protocol           | TCP/IP、SIP、RTSP                                |
|                        | Network interface          | 1 RJ-45 10/100 Mbps self-adaptive              |
|                        | Alarm input                | 8-ch alarm inputs                              |
|                        | Relay output               | 2  |
|                        | TF card                    | Max to 32 G, SD 2.0 or lower version           |
|                        | RS-485                     | 1  |
|                        | General                    | Power supply                                   |
| Power consumption      |                            | ≤ 6 W  |
| Working temperature    |                            | -10 °C to 55 °C (14 °F to 131 °F)              |
| Working humidity       |                            | 10% to 90%                                     |
| Dimensions (W × H × D) |                            | 200 mm × 140 mm × 15.1 mm (7.9" × 5.5" × 0.6") |

### Door Station

| Model             |                            | DS-KD8003-IME1                                    |
|-------------------|----------------------------|---|
| System parameters | Processor                  | Embedded MCU Processor                            |
|                   | Operation system           | Embedded Linux operation system                   |
|                   | Operation method           | Physical button                                   |
|                   | Video compression standard | H.264   |
| Video parameters  | Resolution                 | Main Stream: 1920 × 1080<br>Sub Stream: 720 × 480 |
|                   | BLC                        | Supported   |
|                   | DNR                        | Supported   |

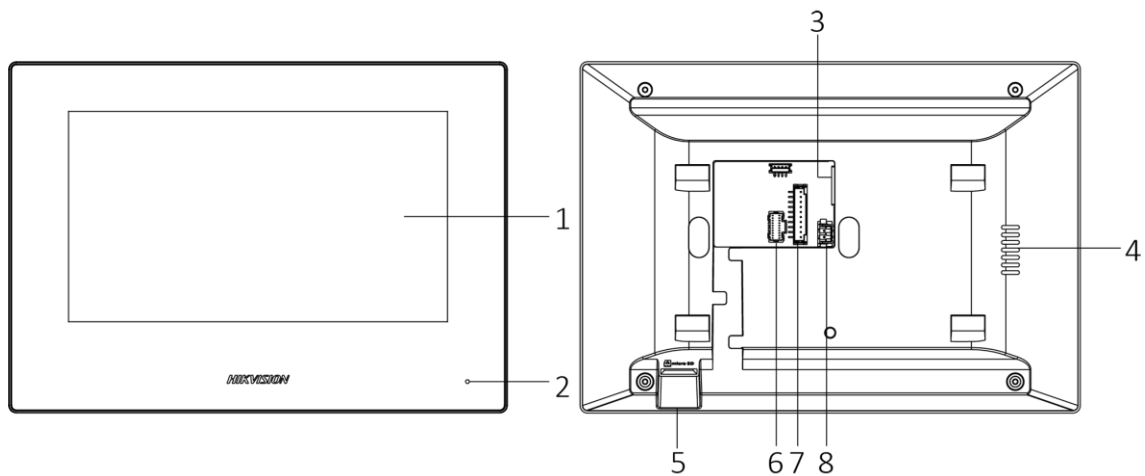
|                    |                            |   |
|--------------------|----------------------------|---|
| Audio parameters   | WDR                        | Supported   |
|                    | Anti-flicker               | 50 Hz, 60 Hz  |
|                    | Field of view              | Horizontal : 180°<br>Vertical : 96°                     |
|                    | Audio input                | Built-in omnidirectional microphone                     |
|                    | Audio output               | Built-in omnidirectional (more than 85 dB within 20 cm) |
|                    | Audio compression standard | G.711 U   |
|                    | Audio compression rate     | 64 Kbps   |
|                    | Audio quality              | Noise suppression and echo cancellation                 |
| Light supplement   | Light supplement mode      | IR supplement   |
| Network parameters | Ethernet                   | 10/100 Mbps self-adaptive Ethernet                      |
|                    | Network protocol           | TCP/IP, RTSP  |
| Alarm parameters   | Tampering alarm            | 1   |
|                    | Module-connecting          | 1   |
| Interfaces         | I/O input                  | 4   |
|                    | Debug                      | 1   |
|                    | Relay                      | 2 (30 V, 1 A)   |
|                    | Physical button            | 1   |
|                    | Power supply               | 12 VDC/PoE ( IEEE 802.3af)                              |
| General            | Power consumption          | ≤10 W   |
|                    | Working temperature        | - 40 °C to 60 °C (- 40 °F to 140 °F)                    |
|                    | Working humidity           | 10% to 95%  |
|                    | IP protection level        | IP65  |
|                    | Installation               | Flush mounting, surface mounting                        |
|                    | Dimensions (W × H × D)     | 98 mm × 99.8 mm × 43.9 mm (3.86" × 3.93" × 1.73")       |

## Typical Application



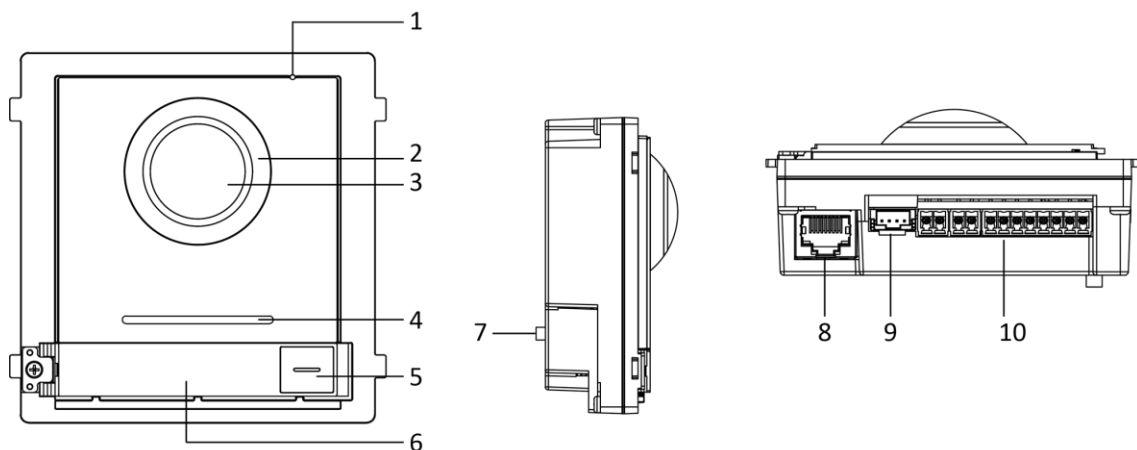
## Physical Interface

### Indoor Station



| No. | Description       | No. | Description    |
|-----|-------------------|-----|----------------|
| 1   | Screen            | 5   | TF Card Slot   |
| 2   | Microphone        | 6   | Alarm Terminal |
| 3   | Network Interface | 7   | Reserved       |
| 4   | Loudspeaker       | 8   | Power Terminal |

**Door Station**



| No. | Description                          | No. | Description                          |
|-----|--------------------------------------|-----|--------------------------------------|
| 1   | Microphone                           | 6   | Nametag                              |
| 2   | Low Illumination IR Supplement Light | 7   | TAMPER                               |
| 3   | Built-in Camera                      | 8   | Network Interface                    |
| 4   | Loudspeaker                          | 9   | Module-connecting Interface (output) |
| 5   | Call Button                          | 10  | Terminals                            |

**Available Model**

DS-KIS602

Distributed by

**HIKVISION®****Headquarters**

No.555 Qianmo Road, Binjiang District,  
Hangzhou 310051, China  
T +86-571-8807-5998  
overseasbusiness@hikvision.com

**Hikvision USA**  
T +1-909-895-0400  
sales.usa@hikvision.com

**Hikvision Australia**  
T +61-2-8599-4233  
salesau@hikvision.com

**Hikvision India**  
T +91-22-28469900  
sales@pramahikvision.com

**Hikvision Canada**  
T +1-866-200-6690  
sales.canada@hikvision.com

**Hikvision Thailand**  
T +662-275-9949  
sales.thailand@hikvision.com

**Hikvision Europe**  
T +31-23-5542770  
sales.eu@hikvision.com

**Hikvision Italy**  
T +39-0438-6902  
info.it@hikvision.com

**Hikvision Brazil**  
T +55 11 3318-0050  
Latam.support@hikvision.com

**Hikvision Turkey**  
T +90 (216)521 7070- 7074  
sales.tr@hikvision.com

**Hikvision Malaysia**  
T +601-7652-2413  
sales.my@hikvision.com

**Hikvision UK & Ireland**  
T +01628-902140  
sales.uk@hikvision.com

**Hikvision South Africa**  
Tel: +27 (10) 0351172  
sale.africa@hikvision.com

**Hikvision France**  
T +33(0)1-85-330-450  
info.fr@hikvision.com

**Hikvision Kazakhstan**  
T +7-727-9730667  
nikia.panfilov@hikvision.ru

**Hikvision Vietnam**  
T +84-974270888  
sales.vt@hikvision.com

**Hikvision UAE**  
T +971-4-4432090  
salesme@hikvision.com

**Hikvision Singapore**  
T +65-6684-4718  
sg@hikvision.com

**Hikvision Spain**  
T +34-91-737-16-55  
info.es@hikvision.com

**Hikvision Tashkent**  
T +99-87-1238-9438  
uzb@hikvision.ru

**Hikvision Hong Kong**  
T +852-2151-1761  
info.hk@hikvision.com

**Hikvision Russia**  
T +7-495-669-67-99  
sateru@hikvision.com

**Hikvision Korea**  
T +82-(0)31-731-8817  
sales.korea@hikvision.com

**Hikvision Poland**  
T +48-22-460-01-50  
info.pl@hikvision.com

**Hikvision Indonesia**  
T +62-21-2933759  
Sales.Indonesia@hikvision.com

**Hikvision Colombia**  
sales.colombia@hikvision.com